

Dish out the goodness.

Fountain Jar Topping Stations

Fountain Jar Topping Stations
Models SR-2, SR-3 & SR-4



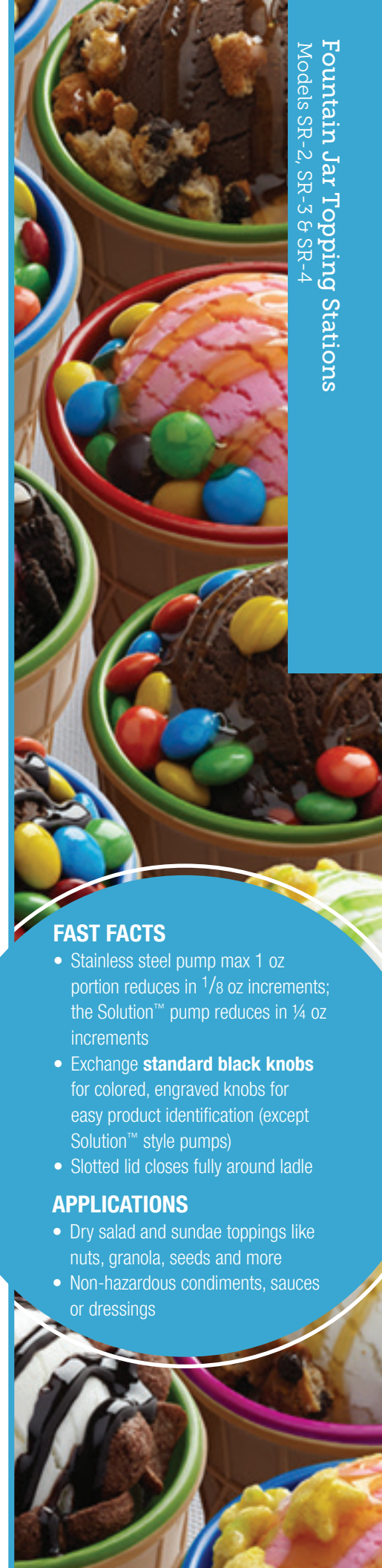
Hold multiple fountain jars in one compact countertop station with pumps or ladles

Manage food costs and flavor with precise portion-control

Brushed stainless steel finish helps reduce the visibility of fingerprints

Stainless steel pumps are clean-in-place certified; Solution™ pump parts are dishwasher safe

Solution™ pumps include (3) discharge fittings to accommodate thin, thick and thicker food products



STAINLESS STEEL PUMP STATIONS

(details on p 2)



SOLUTION™ PUMP STATIONS

(details on p 3)



LID AND LADLE STATIONS

(details on p 4)



FAST FACTS

- Stainless steel pump max 1 oz portion reduces in 1/8 oz increments; the Solution™ pump reduces in 1/4 oz increments
- Exchange **standard black knobs** for colored, engraved knobs for easy product identification (except Solution™ style pumps)
- Slotted lid closes fully around ladle

APPLICATIONS

- Dry salad and sundae toppings like nuts, granola, seeds and more
- Non-hazardous condiments, sauces or dressings

Deliver consistently.

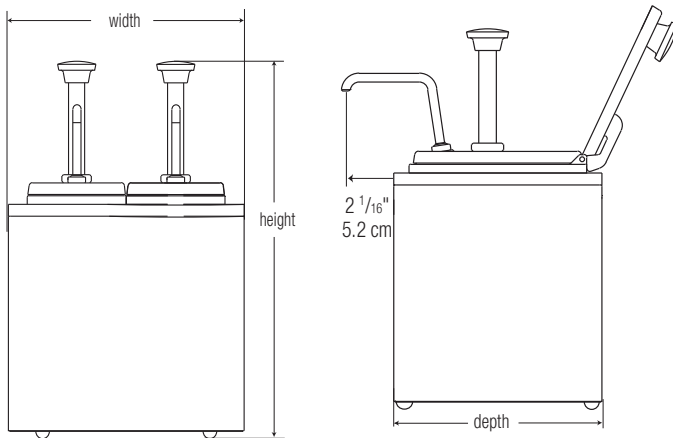
Non-Insulated Stainless Steel Pump Stations

Models SR-2, SR-3 & SR-4

DISPENSES	THIN fountain syrups • oils • hot sauce
	THICK ketchup • mustard • mayonnaise • bbq
	THICKER tartar sauce • crafted sauces
APP	AMBIENT
	COLD
	HOT

SPECIFIER STATEMENT

82910 | 82870 | 82830: Server Products non-insulated countertop stations are constructed of a stainless steel base with a brushed finish. Each combo comes complete with white, deep plastic fountain jars (82557) and stainless steel FP-V style fountain pumps (82120). 1 ¼ oz (37 mL) max stroke reduces in 1/8 oz (3.7 mL) increments. NSF listed. BPA Free. Two-year warranty. Ships FOB Richfield, WI 53076.



order quantity	dispenses	model/item	application	description	capacity	dims (H x W x D)	weight
<input type="checkbox"/>		SR-2 82910		2-jar base, 2 stainless steel pumps	(2) 3.5 qt fountain jars	16 1/16" x 10 7/8" x 8 13/16" 40.8 x 27.6 x 22.4 cm	13 lb 6 kg
<input type="checkbox"/>		SR-3 82870		3-jar base, 3 stainless steel pumps	(3) 3.5 qt fountain jars	16 1/16" x 15 1/2" x 8 13/16" 40.8 x 39.4 x 22.4 cm	18 lb 8.2 kg
<input type="checkbox"/>		SR-4 82830		4-jar base, 4 stainless steel pumps	(4) 3.5 qt fountain jars	16 1/16" x 20 1/8" x 8 13/16" 40.8 x 51.1 x 22.4 cm	22 lb 10 kg

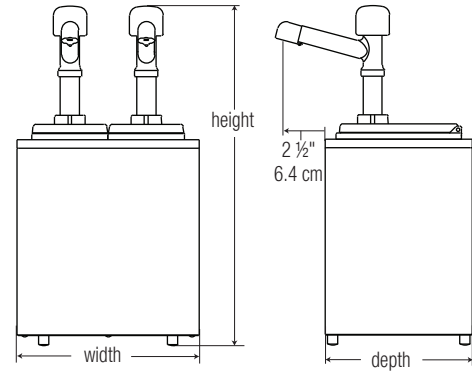
DISPENSES		THIN fountain syrups • oils • hot sauce
		THICK ketchup • mustard • mayonnaise • bbq
		THICKER tartar sauce • crafted sauces
APP		AMBIENT
		COLD
		HOT

Top responsibly.

Non-Insulated Solution™ Pump Stations Models SR-2, SR-3 & SR-4

SPECIFIER STATEMENT

79850 | 79860 | 79870: Server Products non-insulated countertop stations are constructed of a stainless steel base with a brushed finish. Each combo comes complete with white, deep plastic fountain jars (82557) and polycarbonate PS-F pumps (81910). Pump parts are dishwasher safe and replaceable. Includes three interchangeable discharge fittings to dispense thin, thick and thicker ingredients. 1 oz (30 mL) max stroke reduces in ¼ oz (7 mL) increments. NSF listed. Two-year warranty. Ships FOB Richfield, WI 53076.



order quantity	dispenses	model/item	application	description	capacity	dims (H x W x D)	weight
		SR-2 79850		2-jar base, 2 Solution™ pumps	(2) 3.5 qt fountain jars	17 15/16" x 10 7/8" x 8 13/16" 45.6 x 27.6 x 22.4 cm	12 lb 5.4 kg
		SR-3 79860		3-jar base, 3 Solution™ pumps	(3) 3.5 qt fountain jars	17 15/16" x 15 1/2" x 8 13/16" 45.6 x 39.4 x 22.4 cm	16 lb 7.3 kg
		SR-4 79870		4-jar base, 4 Solution™ pumps	(4) 3.5 qt fountain jars	17 15/16" x 20 1/8" x 8 13/16" 45.6 x 51.1 x 22.4 cm	20 lb 9.1 kg

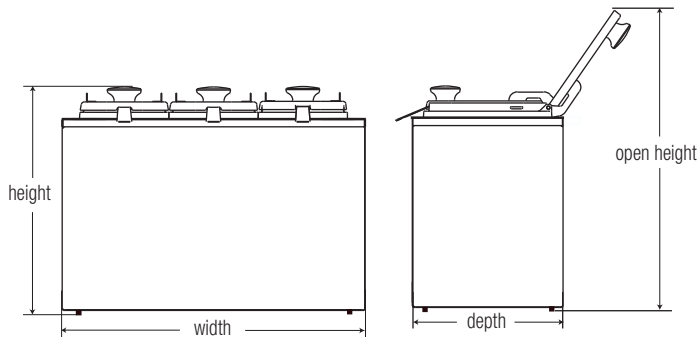
Dish more delicious.

Non-Insulated Ladle Stations

Models SR-2, SR-3 & SR-4

SPECIFIER STATEMENT

80570 | 80560 | 80550: Server Products non-insulated countertop stations are constructed of a stainless steel base with a brushed finish. Each combo includes shallow, white plastic fountain jars (82558), stainless steel hinged lids (82545), and 1 oz (30 mL) ladles (82562). Black knobs are standard. NSF listed. BPA Free. Two-year warranty. Ships FOB Richfield, WI 53076.



order quantity	model/item	application	description	capacity	dims (H x W x D)	open height	weight
<input type="checkbox"/>	SR-2 80570		2-jar rail with ladles	(2) 2 qt fountain jars	14 1/4" x 10 7/8" x 8 13/16" 36.2 x 27.6 x 22.4 cm	19" 48.3 cm	8 lb 3.6 kg
<input type="checkbox"/>	SR-3 80560		3-jar rail with ladles	(3) 2 qt fountain jars	14 1/4" x 15 1/2" x 8 13/16" 36.2 x 39.4 x 22.4 cm	19" 48.3 cm	11 lb 5 kg
<input type="checkbox"/>	SR-4 80550		4-jar rail with ladles	(4) 2 qt fountain jars	14 1/4" x 20 1/8" x 8 13/16" 36.2 x 51.1 x 22.4 cm	19" 48.3 cm	13 lb 5.9 kg

RELATED ITEMS

Colored Fountain Jars

Choose black or orange jars rather than white; use orange jars to call out common food allergens like nuts.

item	description	capacity	jar color
83147	standard, shallow fountain jar	2 qt 1.9 L	
83148			



Colored, engraved knobs

Interchangeable engraved and colored knobs help staff and patrons identify contents, coordinate with store themes or promote branded products. Specify color and text at time of order. Exact shade may vary from picture. Black knobs are standard.

