

# PUMPS: SOLUTION™, PLASTIC FOOD CONTAINER PUMPS

Models PS-10, PS-110, PS-G, PS, CROCK

## WHAT DO YOU DISPENSE?

- THIN • fountain syrups • liqueur • hot or soy sauce
- THICK • ketchup • mustard • mayo • bbq sauce
- PARTICULATES • tartar sauce • Thousand Island



PS-10 82020



PS-110 82440



PS-G 83090



PS, CROCK 85250

## BID DESCRIPTION

Server Solution™ pumps are designed to dispense a wide range of products from syrups to some relishes simply by choosing from (3) discharge fittings (included). The polycarbonate pump parts are dishwasher safe and replaceable. Maximum stroke yields 1 ounce (30 mL) with gauging collars supplied to reduce yield in ¼ ounce (7 mL) increments. Pictured jars are not included.

The PS-10 is designed to pump directly from a manufacturer's #10 can or Stainless Steel Jar (94009). Includes polycarbonate pump and stainless steel lid. The PS-110 (82440) is designed to pump directly from a 96 oz squat jar. Black plastic lid threads directly onto jug.

PS-G pumps pump directly from a manufacturer's 1 gallon (3.8 L) jar. Choose from 89, 110 or 120 mm. PS, CROCK includes a clear plastic lid that fits directly on a standard 2.7 quart (2.6 L) salad crock.

## STANDARD FEATURES

- Durable polycarbonate construction
- Dishwasher safe for easy clean up
- Pump a wide range of products from syrups to relish
- Maximum stroke yields 1 ounce (30 mL)
- Easy-to-adjust portion control in ¼ ounce (7 mL) increments
- (3) discharge fittings to accommodate various food products

## ACCESSORY ITEMS

- Stainless Steel Jar 94009
- Stainless Steel Jar, Lid 94008
- Cylinder-Side Cleaning Brush 82049
- Spout-Side Cleaning Brush 82526



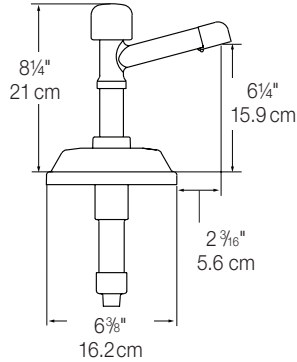
## TWO YEAR WARRANTY

Server Products equipment is backed by a two-year limited warranty against defects in materials and workmanship. For our complete warranty statement, see our website or contact us.

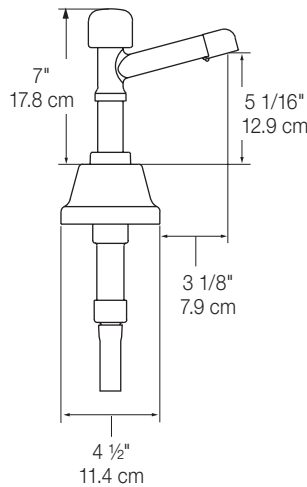
# PUMPS: SOLUTION™, PLASTIC FOOD CONTAINER PUMPS

Models PS-10, PS-110, PS-G, PS, CROCK

## #10 CAN/STAINLESS STEEL JAR PUMP - PS-10



## HEINZ® POUR STORE & PUMP JUG PUMP - PS-110



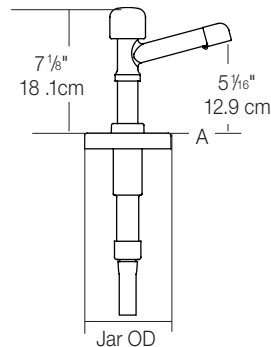
## CAD LIBRARY

Individual CAD images can be downloaded free of charge from our website. Our complete collection of CAD files, along with more than 100 other manufacturers, can be purchased through Kochman Consultants, Ltd. at [kclcad.com](http://kclcad.com).

MODELS ☺☹☹☹	PS-10 82020	PS-110 82440	PS, CROCK 85250
Height (above jar)	8 1/4" 21 cm	7" 17.8 cm	8 11/16" 22.1 cm
Lid Dia.	6 3/8" 16.2 cm	4 1/2" 11.4 cm	6 3/4" 17.1 cm
Dim. A	2 3/16 " 5.6 cm	3 1/8 " 7.9 cm	1 15/16 " 5 cm
Capacity	3 qt 2.8 L	1 gal 3.8 L	2.7 qt 2.6 L
Weight	2 lb (.9 kg)		
MODELS ☺☹☹☹	PS-G 89 83030	PS-G 110 83090	PS-G 120 83180
Height (above jar)	7 1/8" 18.1 cm	7 1/8" 18.1 cm	7 1/8" 18.1 cm
Fits Jar OD	3 1/2 " 8.9 cm	4 3/8 " 11.1 cm	4 3/4 " 12.1 cm
Dim. A	3 1/2 " 8.9 cm	3 1/8 " 7.9 cm	2 15/16 " 7.5 cm
Capacity Weight	1 gallon (3.8 L) 2 lb (.9 kg)		

FOB RICHFIELD, WISCONSIN 53076

## GALLON JAR - PS-G 89, PS-G 110 & PS-G 120



## SALAD CROCK PUMP PS, CROCK

