

WARM WELL. SERVE BETTER.

TOPPING WARMER WITH PUMP

Conveniently serve toppings such as fudge or caramel from a #10 can or 3 qt jar (jar sold separately)

Stainless steel pump provides consistent servings while managing food costs – 1 oz per stroke; adjust in 1/8 ounce increments



Temperature-sensing thermostat turns wrap-around heating element on or off as needed to prevent accidental burning or scorching



TOPPING WARMER WITH PUMP

Model FSP

Food Applications

- Warm and serve various food and dessert toppings from a #10 can or 3 quart stainless steel jar (sold separately)

Fast Facts

Keep toppings and sauces at their peak freshness with this water-bath warmer. Fast, even heat prevents overheating and food waste; thermostat turns the wrap-around heating element on or off as needed.

Portion control manages serving sizes of expensive ingredients; dispense 1 ounce max, adjusts in 1/8 ounce increments.

Colored, engraved knobs to quickly differentiate product is available upon request.

Want to pump from a pouch? The Pouch Conversion Kit (81184) modifies your unit to interface with 48 oz topping pouches. The anodized pouch support allows you to warm food without a waterbath.

Flexible design also allows use with a ladle (FS), or a squeeze bottle inset (SBW) (both sold separate).



1.800.558.8722
Server-Products.com

TOPPING WARMER WITH PUMP

Model FSP

EVEN HEATING. EVEN BETTER TOPPINGS.

TOPPING WARMER WITH PUMP

Model FSP

Specifier Statement

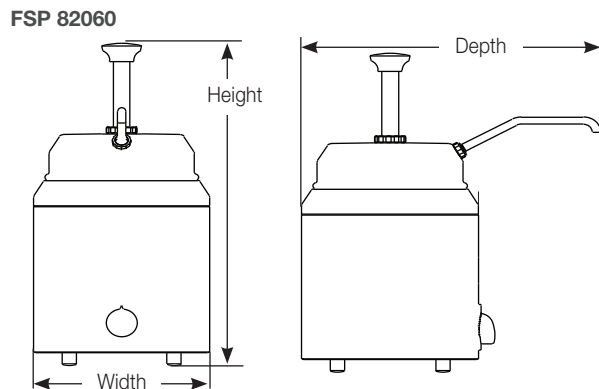
Server Products Model FSP Topping Warmer with Pump is constructed of polished stainless steel. An adjustable, precalibrated thermostat controls the 500 watt heating element; temperature settings are marked on thermostat knob, and an ON/OFF rocker switch controls the power. Unit dispenses from a #10 can or 3 quart stainless steel jar (94009) (not included). The warmer features stainless steel, portion-controlled pump. Max stroke yields 1 ounce (30 mL), reduces in 1/8 ounce (3.9 mL) increments. NSF listed. Rethermalizer. C-UL-US listed. Two-year warranty. Ships FOB Richfield, WI 53076.

Product Code

Hot Topping Server with Pump FSP 82060

Accessory Item

FSP Conversion Kit 81184



Specifications

Part Number	Capacity	Dimensions (height x width x depth)	Weight
82060	3 qt 2.8 L	15 3/4" x 7 3/4" x 13 1/16" 40 x 19.7 x 33.2 cm	9 lb 4.1 kg



Plug is NEMA 5-15P with 72" (183 cm) cord

230V models also available



Related Items

The Supreme™ hot topping merchandiser dispenses from a 3 qt stainless steel jar or manufacturer's #10 can using a stainless steel pump. Unit includes a kit of (3) magnetic merchandising signs: Caramel, Cheese and Fudge (kit p/n 86749).



81184
FSP Conversion Kit

81140 Supreme™
Hot Topping Merchandiser



Server Products, Inc. | 800.558.8722 | Intl: 262.628.5600
3601 Pleasant Hill Road | Richfield WI 53076
spsales@server-products.com | server-products.com

Server Products, Inc. reserves the right to modify specifications without obligation.
Printed in USA | © Server Products, Inc 01.2019 | S 02049