

PUMPS: SOLUTION™, PLASTIC INSET & STEAM TABLE PANS

Models PS-1/6, PS-1/4, PS-1/3, PS-6 1/2, PS-8 1/2 & PS-10 1/2

WHAT DO YOU DISPENSE?

- **THIN** • fountain syrups • liqueur • hot or soy sauce
- **THICK** • ketchup • mustard • mayo • bbq sauce
- **PARTICULATES** • tartar sauce • Thousand Island



PS-1/4 83210



PS-8 1/2 82170

BID DESCRIPTION

Server Solution™ pumps are designed to dispense a wide range of products from syrups to some relishes simply by choosing one of the (3) discharge fittings (included). The polycarbonate pump parts are dishwasher safe and replaceable. Maximum stroke yields 1 ounce (30 mL) with gauging collars supplied to reduce yield in 1/4 ounce (7 mL) increments.

The PS-1/6, PS-1/4 and PS-1/3 pumps are designed to fit directly on the corresponding standard size steam table pan (not included). Includes polycarbonate pump and stainless steel lid.

Each of the PS-6 1/2, PS-8 1/2 and PS-10 1/2 pumps are designed to fit directly on a standard size vegetable inset (not included). Includes polycarbonate pump and stainless steel lid.

STANDARD FEATURES

- Durable polycarbonate pump with stainless steel lid
- Dishwasher safe for easy clean up
- Pump a wide range of products from syrups to some relishes
- Maximum stroke yields 1 ounce (30 mL)
- Easy-to-adjust portion control in 1/4 ounce (7 mL) increments
- (3) discharge fittings to accommodate various food products

ACCESSORY ITEMS

- 1/6-size, 6" (15.2 cm) Deep Pan 90089
- 1/4-size, 6" (15.2 cm) Deep Pan 90086
- 1/3-size, 6" (15.2 cm) Deep Pan 90083
- 6 1/2" (16.5 cm) Vegetable Inset 81031
- 8 1/2" (21.6 cm) Vegetable Inset 84031
- 10 1/2" (26.7 cm) Vegetable Inset 84131



2 YEAR
WARRANTY

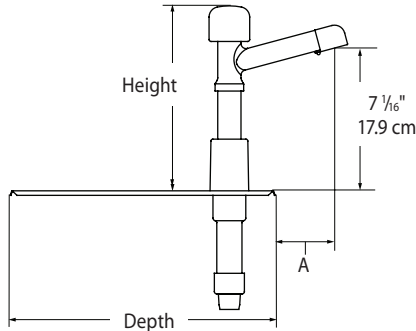
TWO YEAR WARRANTY

Server Products equipment is backed by a two-year limited warranty against defects in materials and workmanship. For a copy of our complete warranty statement, please refer to server-products.com.

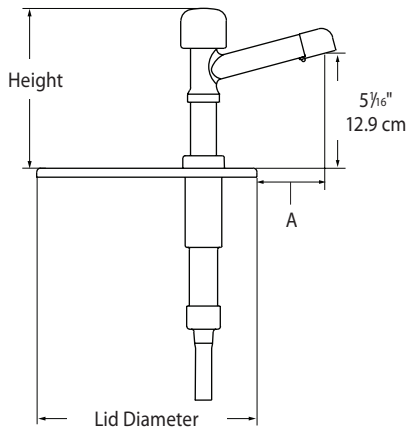
PUMPS: SOLUTION™, PLASTIC INSET & STEAM TABLE PANS

Models PS-1/6, PS-1/4, PS-1/3, PS-6 1/2, PS-8 1/2 & PS-10 1/2

PUMPS FOR: STEAM TABLE PANS - PS-1/6, PS-1/4 & PS-1/3



PRODUCT CONTAINERS - PS-6 1/2, PS-8 1/2 & PS-10 1/2



MODELS ☺☹☹	PS-1/6 83190	PS-1/4 83210	PS-1/3 83340
Capacity	2.7 qt 2.6 L	4.5 qt 4.3 L	6.1 qt 5.8 L
Height	9 1/8" 23.2 cm	9 1/8" 23.2 cm	9 1/8" 23.2 cm
Width	6 1/2" 16.5 cm	6 5/8" 16.8 cm	7 1/8" 18.1 cm
Depth	7 1/8" 18.1 cm	10 1/2" 26.7 cm	13 1/16" 33.4 cm
Dim. A	3 1/8" 7.9 cm	3 1/8" 7.9 cm	3 1/8" 7.9 cm
Weight	2 lb (.9 kg)		

Measurements are shown above pan, inset or jar.

MODELS ☺☹☹	PS-6 1/2 82090	PS-8 1/2 82170	PS-10 1/2 82160
Capacity	4 qt 3.8 L	7 qt 6.6 L	11 qt 10.4 L
Height (above jar)	7 1/8" 18.1 cm	7 1/8" 18.1 cm	7 1/8" 18.1 cm
Lid Dia.	7 9/16" 19.2 cm	9 5/8" 24.5 cm	11 7/16" 29.1 cm
Cutout Dia. *	6 1/2" 16.5 cm	8 1/2" 21.6 cm	10 1/2" 26.7 cm
Dim. A	3 1/16" 7.8 cm	3 1/16" 7.8 cm	3 1/16" 7.8 cm
Weight	2 lb .9 kg	3 lb 1.4 kg	3 lb 1.4 kg

* Dimension varies according to inset mfg.

FOB RICHFIELD, WISCONSIN 53076

CAD LIBRARY

Individual CAD images can be downloaded free of charge from our website. Our complete collection of CAD files, along with more than 100 other manufacturers, can be purchased through Kochman Consultants, Ltd. at kclcad.com.