

# Get out all the good.

## Stainless Steel Fountain Jar Pumps



Models for countertop, drop-in or slanted fountainette applications, for standard 2 qt or 3 1/2 qt fountain jars

Manage food costs and flavor with precise portion-control

Drop-in models feature a higher discharge point for additional serving clearance

NSF listed, clean-in-place certified or disassemble for cleaning

**NEW** Thick Pump (TP) and Lever Pump (TPV-L) models reduce dispensing force needed when working with especially thick or thicker products

Use interchangeable colored, engraved knob to identify products; black is standard  
*(details on p 4)*

### 2 QT FOUNTAIN JARS

*(details on p 2)*



CP-200 2 oz 87610



FP-200V 82130



FP-200 82100

### 3 1/2 QT FOUNTAIN JARS

*(details on p 3)*



CP-F 83330



CP-F 2 oz 87660



TPV-L 80879

#### FAST FACTS

- 1 oz or 1 1/4 oz maximum portion; adjustable in 1/8 oz increments (except Lever Pump and 2 oz pump; see specs)
- Fit standard fountain jars, sold separate (see p 4 for details)

#### APPLICATIONS

- Dispense syrups, sauces, concentrates or other ingredients from a fountain jar with precise portion control
- Models for countertop, drop-in or fountainette applications



# Purposefully made to last.

## Stainless Steel Fountain Jar Pumps—2 qt Models CP-200, FP-200V, TP-200V & FP-200

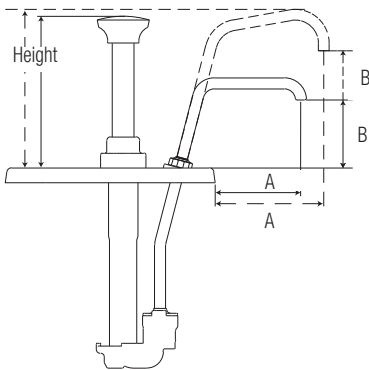
|           |  |
|-----------|--|
| DISPENSES | <b>THIN</b><br>fountain syrups • oils • hot sauce    |
|           | <b>THICK</b><br>ketchup • mustard • mayonnaise • bbq |
|           | <b>THICKER</b><br>tartar sauce • crafted sauces      |
| APP       | <b>AMBIENT</b>                                       |
|           | <b>COLD</b>  |
|           | <b>HOT</b>   |

### SPECIFIER STATEMENT

**83300 | 87610 | 82130 | 86750 | 87670 | 82100:** Server Products stainless steel pumps for 2 qt (1.9L) fountain jars dispense thin, thick, or thicker craft sauces from a countertop station or slanted fountainette. Models with a 1 oz (30 mL) maximum portion can reduce in 1/8 oz (3.7 mL) increments; 2 oz (60 mL) models adjust to serve 1 3/4, 1 1/2 or 1 1/4 oz (51, 44, or 37 mL) with included collars. NSF listed, clean-in-place certified and BPA Free. Two-year warranty. Ships FOB Richfield, WI 53076.



CP-200, FP-200V, TP-200V & FP-200



CP-200 2 oz 87610

FP-200V 82130

FP-200 82100

| order quantity           | dispenses | model/item               | application | pump & lid fit (jar not incl.)     | full portion  | dimensions (above jar)                            | weight         | dim a            | dim b             |
|--------------------------|-----------|--------------------------|-------------|------------------------------------|---------------|---|----------------|------------------|-------------------|
| <input type="checkbox"/> |           | CP-200 83300             |             | 2 qt fountain jar, shallow (1.9L)  | 1 oz<br>30 mL | 5 1/2" x 4 1/2" x 7 1/8"<br>14 x 11.4 x 18.1 cm   | 3 lb<br>1.4 kg | 3 7/8"<br>9.8 cm | 4 1/8"<br>10.5 cm |
| <input type="checkbox"/> |           | CP-200 2 oz 87610        |             |                                    | 2 oz<br>60 mL | 6 1/8" x 4 1/2" x 7 1/8"<br>15.6 x 11.4 x 18.1 cm |                |                  |                   |
| <input type="checkbox"/> |           | FP-200V 82130            |             | 2 qt fountain jar, shallow (1.9L)  | 1 oz<br>30 mL | 5 1/8" x 4 1/2" x 7 1/8"<br>13 x 11.4 x 18.1 cm   | 3 lb<br>1.4 kg | 2 7/8"<br>7.3 cm | 2 5/16"<br>5.9 cm |
| <input type="checkbox"/> |           | <b>NEW</b> TP-200V 86750 |             |                                    | 2 oz<br>60 mL | 6 1/8" x 4 1/2" x 7 1/8"<br>15.6 x 11.4 x 18.1 cm | 3 lb<br>1.4 kg | 2 7/8"<br>7.3 cm | 2 5/16"<br>5.9 cm |
| <input type="checkbox"/> |           | FP-200V 2 oz 87670       |             | 2 qt jar, shallow (slanted) (1.9L) | 1 oz<br>30 mL | 5 1/8" x 4 1/2" x 7 1/8"<br>13 x 11.4 x 18.1 cm   | 3 lb<br>1.4 kg | 2 1/8"<br>5.4 cm | 2 7/8"<br>7.3 cm  |
| <input type="checkbox"/> |           | FP-200 82100             |             |                                    | 2 oz<br>60 mL | 6 1/8" x 4 1/2" x 7 1/8"<br>15.6 x 11.4 x 18.1 cm | 3 lb<br>1.4 kg | 2 7/8"<br>7.3 cm | 2 5/16"<br>5.9 cm |

Dispensers above fit a standard fountain jar; available in white, black and orange (featured on p 4).

# Purposefully made to last.

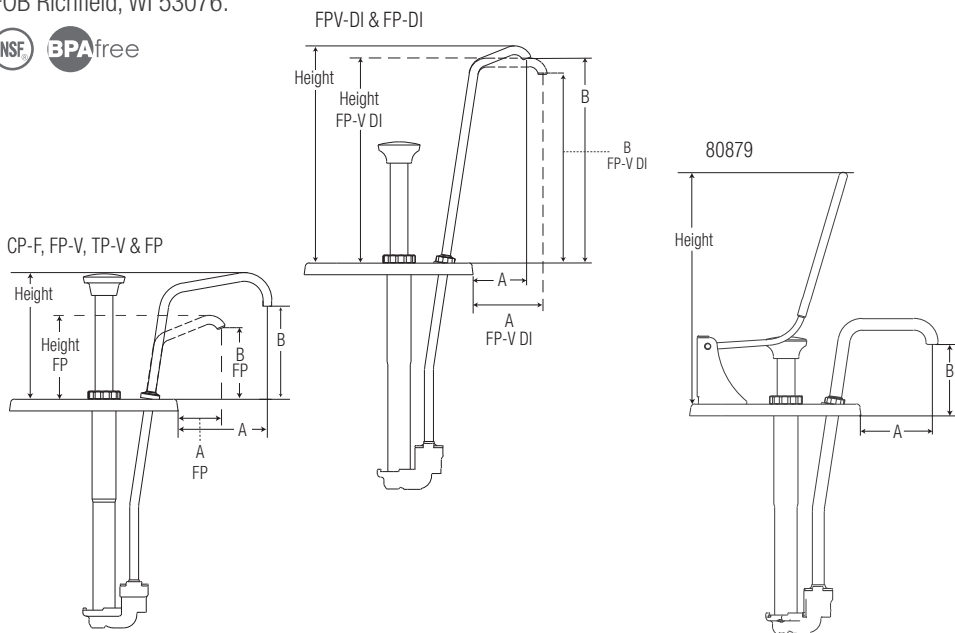
## Stainless Steel Fountain Jar Pumps—3 1/2 qt

Models CP-F, FP-V, TP-V, FPV-DI, FP, FP-DI & TPV-L

|           |  |
|-----------|--|
| DISPENSES | <b>THIN</b><br>fountain syrups • oils • hot sauce    |
|           | <b>THICK</b><br>ketchup • mustard • mayonnaise • bbq |
|           | <b>THICKER</b><br>tartar sauce • crafted sauces      |
| APP       | <b>AMBIENT</b>                                       |
|           | <b>COLD</b>  |
|           | <b>HOT</b>   |

### SPECIFIER STATEMENT

**83330 | 87660 | 82120 | 86760 | 87650 | 82520 | 82070 | 82990 | 80879:** Server Products stainless steel pumps for 3 1/2 qt (3.3 L) fountain jars dispense thin, thick, or thicker craft sauces from a countertop station or slanted fountainette. Models with a 1 1/4 oz (37 mL) maximum portion reduces in 1/8 oz (3.7 mL) increments; 2 oz (60 mL) models adjust to serve 1 3/4, 1 1/2 or 1 1/4 oz (51, 44, or 37 mL) with included collars. Model TPV-L maximum 1 oz (30 mL) portion reduces in 1/8 oz (3.7 mL) increments. NSF listed, clean-in-place certified and BPA Free. Two-year warranty. Ships FOB Richfield, WI 53076.



| order quantity           | dispenses | model/item            | application | pump & lid fit (jar not incl.)                                    | full portion                                       | above jar dims (H x W x D)                          | weight         | dim a   | dim b    |
|--------------------------|-----------|-----------------------|-------------|---|--|---|----------------|---------|----------|
| <input type="checkbox"/> |           | CP-F 83330            |             | 3 1/2 qt fountain jar, deep (3.3L)                                | 1 1/4 oz<br>37 mL                                  | 5 1/2" x 4 1/2" x 7 7/8"<br>14 x 11.4 x 18.1 cm     | 3 lb           | 3 7/8"  | 4"       |
| <input type="checkbox"/> |           | CP-F 2 oz 87660       |             |   | 2 oz<br>60 mL                                      | 6 1/8" x 4 1/2" x 7 7/8"<br>15.6 x 11.4 x 18.1 cm   | 1.4 kg         | 9.8 cm  | 10.2 cm  |
| <input type="checkbox"/> |           | FP-V 82120            |             | 3 1/2 qt fountain jar, deep (3.3L)<br>(use DI model for drop-in)  | 1 1/4 oz<br>37 mL                                  | 5 1/8" x 4 1/2" x 7 7/8"<br>13 x 11.4 x 18.1 cm     | 3 lb<br>1.4 kg | 2 7/8"  | 2 9/16"  |
| <input type="checkbox"/> |           | <b>NEW</b> TP-V 86760 |             |   | 2 oz<br>60 mL                                      | 6 1/8" x 4 1/2" x 7 7/8"<br>15.6 x 11.4 x 18.1 cm   |                | 2 7/8"  | 2 9/16"  |
| <input type="checkbox"/> |           | FPV-DI 82520          |             | 3 1/2 qt jar, deep (slanted) (3.3L)<br>(use DI model for drop-in) | 1 1/4 oz<br>37 mL                                  | 9 1/4" x 4 1/2" x 7 7/8"<br>23.5 x 11.4 x 18.1 cm   | 3 lb<br>1.4 kg | 3"      | 8 1/2"   |
| <input type="checkbox"/> |           | FP 82070              |             |   | 1 1/4 oz<br>37 mL                                  | 5 1/8" x 4 1/2" x 7 7/8"<br>13 x 11.4 x 18.1 cm     |                | 1 7/8"  | 3"       |
| <input type="checkbox"/> |           | FP-DI 82990           |             | 3 1/2 qt fountain jar, deep (3.3L)                                | 9 5/16" x 4 1/2" x 7 7/8"<br>23.7 x 11.4 x 18.1 cm | 2 1/4"  | 8 3/4"         |         |          |
| <input type="checkbox"/> |           | TPV-L 80879           |             |   | 1 oz<br>30 mL                                      | 9 15/16" x 4 1/2" x 7 7/8"<br>25.2 x 11.4 x 18.1 cm | 4 lb<br>1.8 kg | 3 1/16" | 2 15/16" |

Dispensers above fit a standard fountain jar; available in white, black and orange (featured on p 4).

# Purposefully made to last.

## Stainless Steel Fountain Jar Pumps—Related Items

### FOUNTAIN JARS



83147



83156

| order quantity           | jar color                           | item  | description                    | capacity           |
|--------------------------|-------------------------------------|-------|--------------------------------|--------------------|
| <input type="checkbox"/> | <input type="checkbox"/>            | 82558 | standard, shallow fountain jar | 2 qt<br>(1.9L)     |
| <input type="checkbox"/> | <input checked="" type="checkbox"/> | 83147 |                                |                    |
| <input type="checkbox"/> | <input checked="" type="checkbox"/> | 83148 |                                |                    |
| <input type="checkbox"/> | <input type="checkbox"/>            | 82557 | standard, deep fountain jar    | 3 1/2 qt<br>(3.3L) |
| <input type="checkbox"/> | <input checked="" type="checkbox"/> | 83149 |                                |                    |
| <input type="checkbox"/> | <input checked="" type="checkbox"/> | 83156 |                                |                    |

### Server's Standard Fountain Jars

High-impact polypropylene fountain jars feature molded-in feet to prevent tipping during filling. Tabs and side slots allow lids to fit securely; front notch allows lid to close over ladle or spoon handle. Fountain jars can be dropped into a countertop cutout, or placed into a topping station or fountainette. Cutout dimensions are 4 5/16" x 7" (11 x 17.8 cm) for both shallow and deep jars; for jar dimensions, see sheet 02158.

### COLORED KNOBS

Interchangeable engraved and colored knobs help staff and patrons identify contents, coordinate with store themes or promote branded products. (Specify color\* and text at time of order.)

\*Exact shade may vary from picture



### SLIM STAINLESS STEEL FOUNTAIN JAR PUMPS

Slim fountain jars allow you to offer more topping in the same amount of space. Create a customized station using slim, standard or both slim and standard stainless steel fountain jar pumps. See how at [www.server-products.com/Equipment/Topping-Stations](http://www.server-products.com/Equipment/Topping-Stations).