



PUMPS {SOLUTION™, PLASTIC} FOOD CONTAINER PUMPS

Models PS-10
PS-110, PS-G
PS, CROCK

Date:

Project:

Quantity:

Item Number:



Bid Description

Server Solution™ pumps are designed to dispense a wide range of products from syrups to some relishes simply by choosing from (3) discharge fittings (included). The polycarbonate pump parts are dishwasher safe and replaceable. Maximum stroke yields 1 ounce (30 mL) with gauging collars supplied to reduce yield in ¼ ounce (7 mL) increments. Pictured jars are not included.

The PS-10 is designed to pump directly from a manufacturer's #10 can or Stainless Steel Jar (94009). Includes polycarbonate pump and stainless steel lid. The PS-110 (82440) is designed to pump directly from a Heinz® Pour Store & Pump Jug. Black plastic lid threads directly onto jug.

PS-G pumps pump directly from a manufacturer's 1 gallon (3.8 L) jar. Choose from 89, 110 or 120 mm. PS, CROCK includes a clear plastic lid that fits directly on a standard 2.7 quart (2.6 L) salad crock.

Standard Features

- Durable polycarbonate construction
- Dishwasher safe for easy clean up
- Pump a wide range of products from syrups to relish
- Maximum stroke yields 1 ounce (30 mL)
- Easy-to-adjust portion control in ¼ ounce (7 mL) increments
- (3) discharge fittings to accommodate various food products
- (2) cleaning brushes included for pump maintenance

Condiment Dispenser Accessories

- Stainless Steel Jar 94009
- Stainless Steel Jar, Lid 94008
- Spout-side cleaning brush 82049
- Cylinder-side cleaning brush 82526



THIN THICK PARTICULATE
See category tab for details.



Warranty

Server Products equipment is backed by a two-year limited warranty against defects in materials and workmanship. For our complete warranty statement, see our web site or contact us.

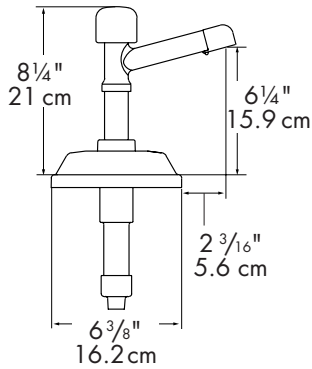
Specifications on reverse side



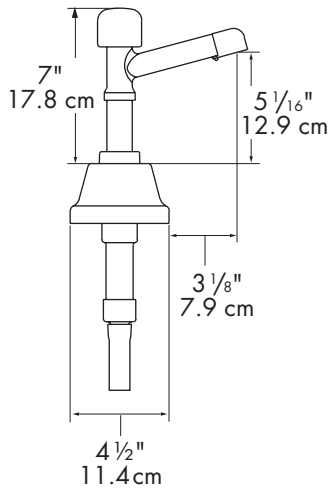
PUMPS {SOLUTION™, PLASTIC} FOOD CONTAINER PUMPS

Models PS-10
PS-110, PS-G
PS, CROCK

#10 Can/Stainless Steel Jar Pump— PS-10



Heinz® Pour Sore & Pump Jug Pump — PS-110



CAD Library

Individual CAD images can be downloaded from product pages on our web site. We are also a member of The KCL CADalog with more than 100 other manufacturers. Our complete collection of CAD files can be purchased through Kochman Consultants, Ltd. at kclcad.com.

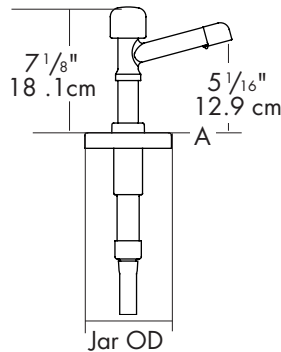
Specifications

Models	PS-10 82020	PS-110 82440	PS,Crock 85250
Height in (above jar) cm	8 1/4 21	7 17.8	8 11/16 22.1
Lid Dia. in cm	6 3/8 16.2	4 1/2 11.4	6 3/4 17.1
Dim. A in cm	2 3/16 5.6	3 1/8 7.9	1 15/16 5
Capacity	3 quart 2.8 L	1 gallon 3.8 L	2.7 quart 2.6 L
Weight	2 lb (.9 kg), except PS, Crock 2 lb (.9 kg)		

Models	PS-G 89 83030	PS-G 110 83090	PS-G 120 83180
Height in (above jar) cm	7 1/8 18.1	7 1/8 18.1	7 1/8 18.1
Fits Jar OD in cm	3 1/2 8.9	4 3/8 11.1	4 3/4 12.1
Dim. A in cm	3 1/2 8.9	3 1/8 7.9	2 15/16 7.5
Capacity	1 gallon (3.8 L)		
Weight	2 lb (.9 kg)		

FOB Richfield, Wisconsin 53076

Gallon Jar — PS-G 89, PS-G 110 & PS-G 120



Salad Crock Pump PS, Crock

