



COLD FOOD HOLDERS THERMOELECTRIC CHILLERS, 1/3 PAN

Models CC-1/3
CC-1/3 NL

Date:

Project:

Quantity:

Item Number:



CC-1/3 86080*

* Shown with (3) 1/9-size jars (87203), not included



CC-1/3 NL 86140**

** Shown with (3) 1/9-size jars (87203), clear lids (87253) and spoons (85156), not included



ALSO AVAILABLE FOR EXPORT

Bid Description

The CC-1/3 countertop chillers are designed to cool up to a 1/3-size steam table pan, 6" (15.2 cm) deep with a 6 quart capacity. Configure with standard fractional pans up to 1/3-size or (3) Server Products 1/9-size jars, 6" (15.2 cm) deep with a 1.9 quart (1.8 L) capacity each. Models available with or without a black double-walled hinged lid.

Thermoelectric cooling provides quiet, efficient operation and consistently holds product below 41° Fahrenheit (5° C). Internal temperature is displayed on a digital readout. An ON/OFF rocker switch controls the cooling mechanism.

Standard Features

- Stainless steel base; black plastic hinged lid
- Thermoelectric power is quiet and efficient
- Holds consistently below 41°F (5°C) — to keep product inside fresh and cold
- Configurable to hold fractional pans up to 1/3-size or (3) 1/9-size jars, 6" (15.2 cm) deep
- 7 foot (2.1 m) power cord

Accessories

- 1/9-Size Jar 3 1/2" (8.9 cm), Black Plastic 87202
- 1/9-Size Jar 6" (15.2 cm), Black Plastic 87203
- Hinged Lid for 1/9-Size Jars, Clear Plastic 87253
- Spoon, 4" (10.2 cm) Handle, Clear Plastic 85156
- Ladle, 4" (10.2 cm) Handle, Stainless Steel 82717
- Ladle, 6" (15.2 cm) Handle, Stainless Steel 82713
- Pumps for 1/9-Size Jars also available

Two Year Warranty

Server Products equipment is backed by a two-year limited warranty against defects in materials and workmanship. For our complete warranty statement, please see our website.

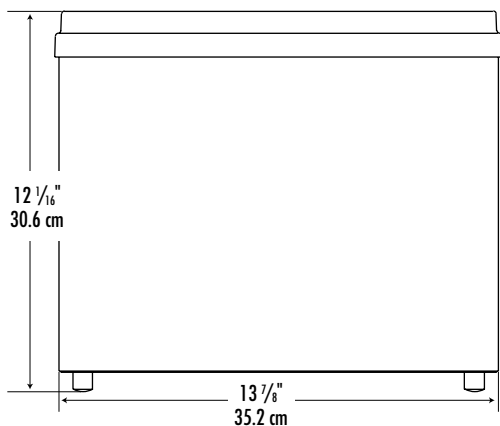
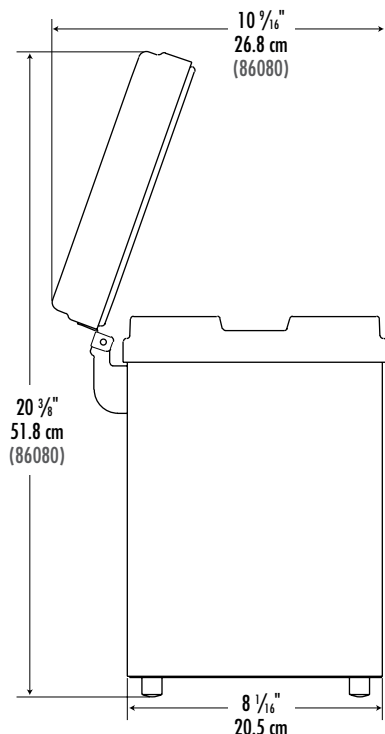
Specifications on reverse side



COLD FOOD HOLDERS THERMOELECTRIC CHILLERS, 1/3 PAN

Models **CC-1/3**
CC-1/3 NL

Chillers



Specifications

Models	CC-1/3 86080 & CC-1/3 NL 86140		
Construction	Stainless steel base with a plastic hinged lid.		
Capacity	Accepts 1/3-size steam table pan, 6" (15.2 cm) deep with a 6 quart capacity		
Dimensions	<u>Height</u> 14 1/2" 36.8 cm	<u>Width</u> 7" 17.8 cm	<u>Depth</u> 11 3/4" 29.8 cm
Electrical	Power supply converts 120V 1 Amp AC to 12V DC power with 7' (2.1 m) power cord NEMA 5-15P, 15A, 125V PLUG		
Weight	26 lb (11.8 kg)		

FOB Richfield, Wisconsin 53076

CAD Library

Individual CAD images can be downloaded from website. We are also a member of The KCL CADalog with more than 100 other manufacturers. Our complete collection of CAD files can be purchased through Kochman Consultants, Ltd. at kclcad.com.

