

SMARTER PORTIONS. SO SIMPLE.

INSEASON™ DISPENSER

Constructed of high temp material designed for high-heat areas such as fry or grill stations

Easy refills with wide-open top, holds 10 oz



Quickly identify serving size with (3) color-coded portion triggers

Refill Indicator Line

Compress trigger to apply precise ingredient portion, consistent flavor & nutritional accuracy

Available constructed with clear Tritan material for use in lower-temp applications



*Clear model is BPA Free



Dispense into Portion Spreader to shake seasonings over non-uniform foods; fits spread pattern only



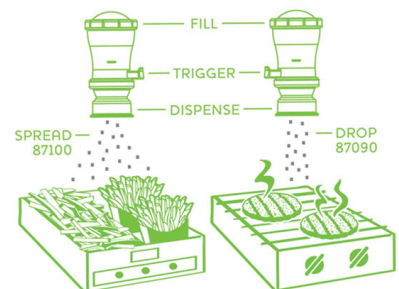
INSEASON™ DISPENSER Model INS

Food Applications

- Apply sprinkles to a dessert beverage, cupcake or donut
- Salt a fry dump
- Season a hamburger or deli sandwich

Fast Facts

The InSeason™ dispenses exact portions of granular seasonings for consistent flavor and accurate nutritional. Handheld, lightweight and designed for use near fry or grill stations. Includes (3) color-coded serving size triggers to identify serving size. Holds 10 oz. Available for “spread” or “drop” patterns.



INSEASON™ SALT & SEASONING DISPENSER Model INS



1.800.558.8722 or
InSeason-Server.com

SERVE BETTER WITH CONSISTENT DRY FOOD DISPENSING

INSEASON™ DISPENSER

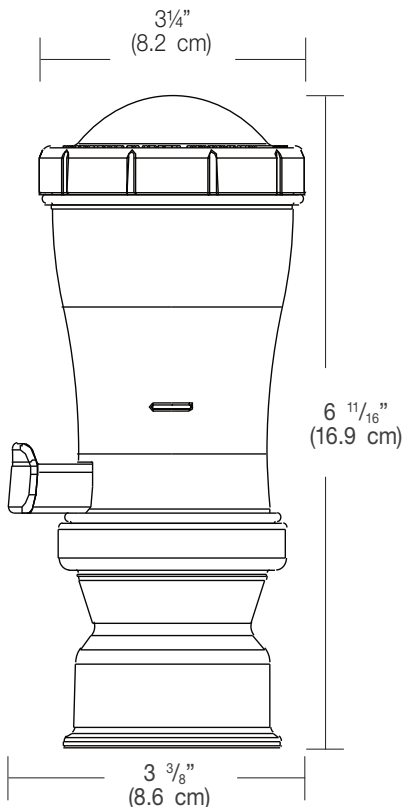
Model INS

Specifier Statement

Unit will be a Server Products Model INS InSeason™ dispenser with a Spread or Drop dispense pattern. Constructed of either high-temp Polysulfone or Tritan material. Holds 10 oz of granular seasoning by volume. Refill indicator line is a visual cue for minimum fill level, with wide open top for refilling. Includes (3) color-coded, Acetal portion triggers. Clear model is BPA Free. NSF listed. Two-year warranty. Ships FOB Richfield, WI 53076.

InSeason™ Product Codes

- Spread Pattern, (3) Triggers INS 87100
- Drop Pattern, (3) Triggers INS 87090
- Clear, Spread Pattern, (3) Triggers INS 87880
- Clear, Drop Pattern, (3) Triggers INS 87870



Specifications

Part Number	Dispense Pattern	Trigger Portion	Trigger(s) Included
87100	Spread (fry dump or platter)	1/4 tsp/1.2 mL	Black
		1/3 tsp/1.6 mL	Blue
87880		1/2 tsp/2.5 mL	Green
87090	Drop (patty or single serving)	1/16 tsp/.3 mL	Tan
		1/8 tsp/.6 mL	Burgundy
87870		1/4 tsp/1.2 mL	Black

Capacity: 10 oz / 296 ML Weight: 1 lb / .5 kg



Accessories

Wall-mounted shelf neatly holds dispensers when not in use. INS dispensers sold separately.

- Triple Wall-Mount Shelf 80085
- Quad Wall-Mount Shelf 87135
- Portion Shaker 87282



Related Items

Server Product's Express™ System is ideal for use both front and back-of-house. Quickly portion consistent condiments into souffle cups or ramekins to finish plates, or place the Express™ at self-serve stations to keep transaction areas free of traffic. The closed system created by the pump and pouch connection keeps condiments safe while bulk product packaging reduces portion packet waste.



Server Products, Inc. 800.558.8722 | Intl: 262.628.5600
 3601 Pleasant Hill Road | Richfield WI 53076
 spsales@server-products.com | server-products.com