

GET SLIM AND SERVE BETTER.

SLIMLINE™ DRY FOOD DISPENSERS

Display and dispense preset portions of up to (4) candies, toppings or mix-ins in less than 13" of wall space

Lift-off lid makes refilling easy

Lifting finger-tab removes dispenser from mounting bracket—no thumb screws or tools needed

Natural dispensing motion of pull-down lever is ADA Compliant

Control costs with precise portion control—color-coded trays identify serving size

- (135) 1/2 oz servings White
- (90) 3/4 oz servings Blue
- (67) 1 oz servings Green
- (45) 1 1/2 oz servings Pink

Create a flavor station with 1, 2, 3 or 4 dispensers on a single mounting bracket; additional brackets neatly mount side-by-side



Two Liter capacity—copolyester dispenser is BPA-free



SLIMLINE™ DISPENSERS
Model DFD

Food Applications

- Add portioned candies, toppings or mix-in ingredients to ice cream or frozen yogurt treats. If looking to dispense crushed candy bars, please call Server customer service to determine the best option
- Need to dispense powders? Ask about our alternative model specifically designed to dispense various powders

Fast Facts

SlimLine™ dispensers serve preset portions of candies, toppings and mix-in ingredients.

Models with 1-4 dispensers mount to any vertical surface and are designed for side-by-side mounting to create an eye-catching flavor station.

The 2 L hopper holds between (45) 1 1/2 oz and (135) 1/2 oz servings depending upon the color-coded portion tray used.

SLIMLINE™ DRY FOOD DISPENSERS Model DFD



1.800.558.8722
SlimLine-Dry-Dispensers.com



ACCURATE, ADJUSTABLE PORTIONS IN LESS SPACE

SLIMLINE™ DRY DISPENSERS

Model DFD

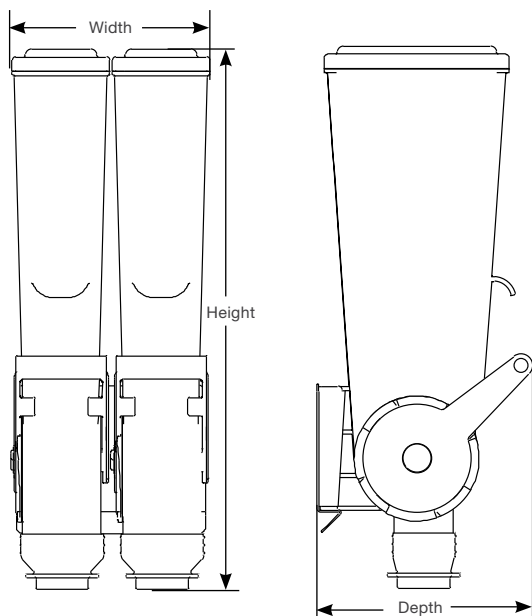
Specifier Statement

Unit will be a Server Products Model DFD SlimLine™ dry food dispenser designed for accurately portioning free-flowing dry foods like candies, toppings and mix-ins. Unit comes complete with 1, 2, 3 or 4 copolyester hoppers, (4) sets of color-coded portion trays and a corresponding 18 gauge stainless steel mounting bracket. Portion trays dispense (135) 1/2 oz (white), (90) 3/4 oz (blue), (67) 1 oz (green) or (45) 1 1/2 oz (pink) servings. Lift-off lid makes refilling easy. NSF listed. BPA free. ADA Compliant. Two-year warranty. Ships FOB Richfield, WI 53076.

SlimLine™ Product Codes

- (1) 2 L Dispenser with Bracket DFD 88750
- (2) 2 L Dispensers with Bracket DFD 88760
- (3) 2 L Dispensers with Bracket DFD 88770
- (4) 2 L Dispensers with Bracket DFD 88780

Note: Additional models for powders or with a stand for countertop use are also available.



Specifications

Part Number	Capacity	Dimensions (height x width x depth)	Weight
88750	(1) 2 L	17 9/16" x 3 3/16" x 6 15/16" 44.6 x 8.1 x 17.6 cm	4 lb 1.8 kg
88760	(2) 2 L	17 9/16" x 6 7/16" x 6 15/16" 44.6 x 16.4 x 17.6 cm	7 lb 3.2 kg
88770	(3) 2 L	17 9/16" x 9 11/16" x 6 15/16" 44.6 x 24.6 x 17.6 cm	10 lb 4.5 kg
88780	(4) 2 L	17 9/16" x 12 15/16" x 6 15/16" 44.6 x 32.9 x 17.6 cm	13 lb 5.9 kg



Related Items

SlimLine™ dry dispensers are also available for dispensing powders or with a stand for countertop use.

The SweetStation™ is perfect for those only needing to dispense sweeteners. They include (3) or (4) InSweeten™ dispensers (in 24 or 14 oz capacities), a wall or surface-mountable rack and flavor decals.

The handheld InSeason™ dispenses exact portions of granular seasonings and toppings for consistent flavor and accurate nutritional. Available in "spread" or "drop" patterns.

Mini Station Combos provide up to (4) hours of cold food holding for a convenient serving area of multiple toppings or inclusions in a small footprint. Versions are available for (2-4) flavors.



SweetStation™



InSeason™



Mini Station Combos



Server Products, Inc. | PO Box 98 | Richfield WI 53076
800.558.8722 | Int'l: 262.628.5600 | F: 262.628.5110
server-products.com

Registered trademarks of Equal®, Splenda® & Sweet 'N Low® are property of their respective owners.
Server Products, Inc. reserves the right to modify specifications without obligation.
Printed in USA | © Server Products, Inc 01.2015 | S 02126