



# FOOD WARMERS {FOOD SERVERS} FULL PAN, SUPREME™

Date:

Project:

Quantity:

Item Number:



**FS-20SS 90080**

### Bid Description

Server Supreme™ water bath warmers are constructed of stainless steel with a brushed (#4) finish. Their high powered heating element is controlled by an adjustable, precalibrated thermostat. Set thermostat by temperature settings. Each feature a "Power On" light, adjustable leveling legs and a water fill line.

The full-size Supreme's are 1500 watts, accept standard size food pans up to 12" x 20" (30.5 x 50.8 cm) and include a "Check Water" light. Pans not included. FS-20SS 90080 includes an adapter plate 90195 and (2) 7 qt (6.6 L) inset and lid assemblies; 90020 is without adapter plate and insets.



**FS-20SS 90020**

### Standard Features

- High wattage provides fast efficient heating
- Full-size unit accepts up to a full-size pan for maximum flexibility
- Adjustable precalibrated thermostat for accurate heat control
- Water fill line eliminates overflow accidents
- "Power On" indicator light for safety
- Adjustable legs aid user in leveling unit on uneven surfaces
- Inset lids stay upright during ladling and feature a rim that collects moisture and returns it to the food
- Side handle assists in opening lid ergonomically—no reaching



Server Products equipment is backed by a two-year limited warranty against defects in materials and workmanship. For a copy of our complete warranty statement, see our web site or contact us.

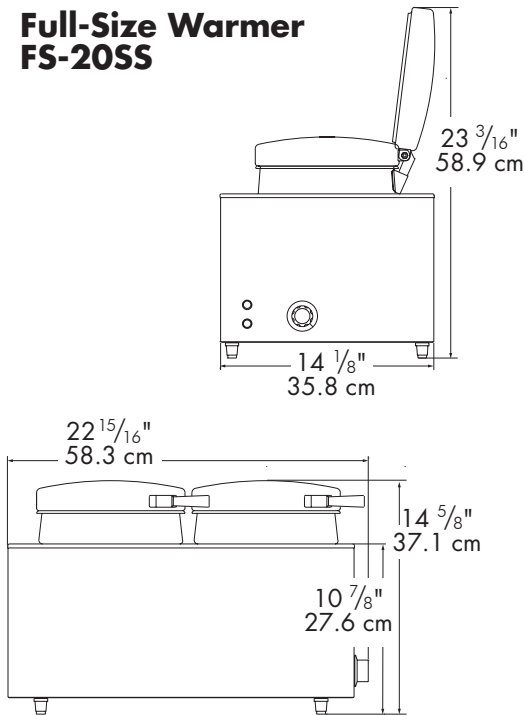
### Accessories

- 7 quart (6.6 L) Inset & Lid Assembly 84040
- 11 quart (10.4 L) Inset & Lid Assembly 84149
- Adapter Plate for (2) 7 quart (6.6 L) insets 90195



# FOOD WARMERS {FOOD SERVERS} FULL PAN, SUPREME™

## Full-Size Warmer FS-20SS



## Specifications

Construction	FS-20SS is stainless steel with a brushed (#4) finish.
Capacity	FS-20SS 90020 accepts any combination of steam table pans to equal a full-size pan. FS-20SS 90080: (2) 7-qt (6.6 L) insets; 14 qt (13.2 L) total. FS-7SS 95170: 7 qt (6.6 L). FS-11SS 85190: 11 qt (10.4 L)
Electrical	120V, 60Hz, 72" (183 cm) cord set NEMA 5-15P, 15A, 125V PLUG

Models		FS-20SS 90020	FS-20SS 90080
Height	in	10 <sup>7</sup> / <sub>8</sub>	14 <sup>5</sup> / <sub>8</sub>
	cm	27.6	37.1
Overall Height	in	N/A	23 <sup>3</sup> / <sub>16</sub>
	cm		58.9
Width	in	14 <sup>1</sup> / <sub>8</sub>	14 <sup>1</sup> / <sub>8</sub>
	cm	35.8	35.8
Depth	in	22 <sup>15</sup> / <sub>16</sub>	22 <sup>15</sup> / <sub>16</sub>
	cm	58.3	58.3
Electrical		1500W	1500W
		12.5A	12.5A
Weight		34 lb	42 lb
		15.4 kg	19.1 kg

FOB Richfield, Wisconsin 53076

## CAD Library

Individual CAD images can be downloaded from product pages on our web site. We are also a member of The KCL CADalog with more than 100 other manufacturers. Our complete collection of CAD files can be purchased through Kochman Consultants, Ltd. at [kclcad.com](http://kclcad.com).

