

61 KETCH-ALL™ KETCHUP COLLECTOR / DISPENSER

No-mess Dispensing of Condiments

Prince Castle's dispensers help any foodservice operation save time and money. Designed to dispense ketchup, the model 61 is great for virtually any pourable sauce.

Whether you purchase condiments in bottles or #10 cans, the Ketch-All™ Dispenser makes sure you get every drop you paid for. The clog-free valve makes filling glass or plastic bottles easy.

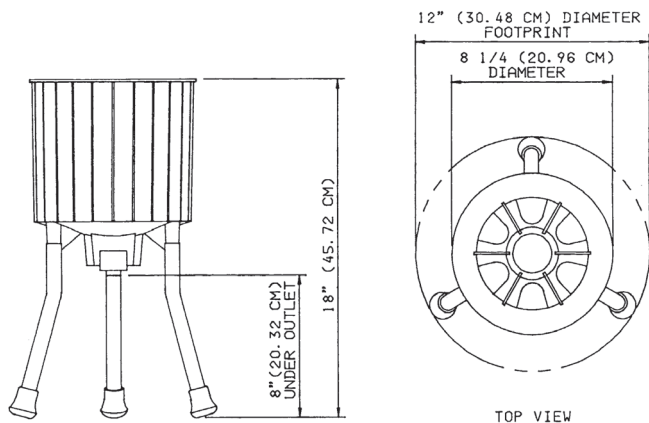


FEATURES

- Easy no-mess dispensing
- Holds the contents of two #10 cans (or six bottles) at one time
- Clog-free valve
- Plastic top keeps stored contents fresh
- Legs detach for easy storage
- Polypropylene container is machine washable
- Virtually eliminates spills
- Saves between 16-20% (4-5 bottles) of ketchup per case of 24
- U.S.D.A. approved polypropylene container
- Removable insert is used for bottles only (cans require it to be removed)

ORDERING INFORMATION

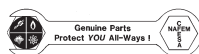
Model Number	Description
61	Ketch-All™ Ketchup Collector/Dispenser



DIMENSIONS

Model Number	Width in(cm)	Length in(cm)	Height in(cm)	Shipping Weight lb(kg)	Shipping cu.ft. (cu.m.)
61	12.00 (30.48)	12.00 (30.48)	18.00 (45.72)	1.00 (.45)	.70 (.02)

CERTIFICATIONS



Designs and Specifications are subject to change without notice.