

943-Series

**FEATURES**

- New, exclusive, Perma-Tight disposable blade cartridge system eliminates the need for blade tightening or adjusting.
- Contoured Tomato Pusher positions tomato as it passes through the blades.
- Includes Table Stop and exclusive Tomato Catcher.
- Built-in hand guard.
- Permanently lubricated bearings.
- Sturdy cast aluminum, plastic and stainless steel construction.
- Easy to maintain - no tools are required.
- Four models available: 3/16", 1/4", 3/8", 7/32" slices.
- One-year warranty (excluding blade cartridge).

**ORDERING INFORMATION**

Model Number	Description
943-A	3/16" (.48 cm) Slice Tomato Saber
943-B	1/4" (.64 cm) Slice Tomato Saber
943-C	3/8" (.95 cm) Slice Tomato Saber
943-D	7/32" (.55 cm) Slice Tomato Saber
943-038A	Perma-Tight Replacement Blade Set (3/16") for 943-A
943-039A	Perma-Tight Replacement Blade Set (1/4") for 943-B
943-040A	Perma-Tight Replacement Blade Set (3/8") for 943-C
943-041A	Perma-Tight Replacement Blade Set (7/32") for 943-D

**ACCESSORIES**

Model Number	Description
953	Tomato Core-It package of 1
950-1	Tomato Core-It bulk package-144 per carton
943-042	Slicer/Cutter Blade Cleaning Brush

Designs and Specifications are subject to change without notice.

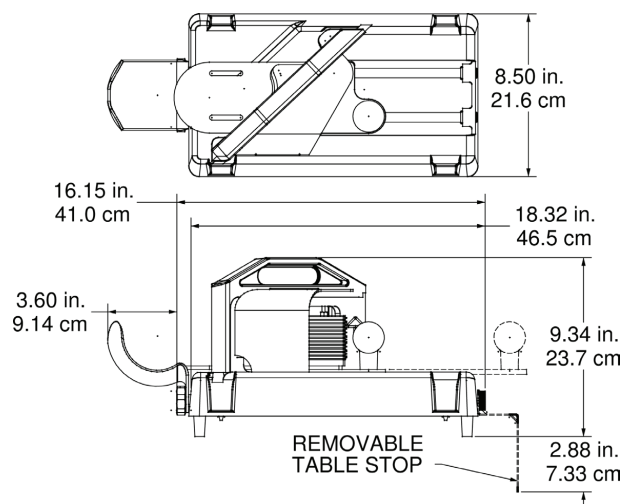
**943 SERIES  
 TOMATO SABER<sup>®</sup>**

The Prince Castle Tomato Saber<sup>®</sup> is the ideal tomato slicing system. Our exclusive Perma-Tight blade cartridge never requires blade tightening or adjusting. Blade replacement is fast and easy - simply snap the blade cartridge into place and the slicer is ready to use. The Prince Castle Tomato Saber achieves perfect slicing every time.

A contoured pusher head holds the tomato in place while slicing, and permanently lubricated Duralon bearings assure the slicing stroke is smooth and quick. The exclusive Tomato Catcher snaps onto the unit and catches the sliced tomato for easy handling, less mess and improved food safety.

Constructed of aluminum, plastic and stainless steel, the Tomato Saber<sup>®</sup> is easy to clean - just spray it with water or run it through the dishwasher. Also, safety features such as the Blade Guard and Tomato Catcher keep the operator away from the slicing area, while the Table Stop and non-skid feet keep the unit stable.

By slicing tomatoes on demand with the Tomato Saber<sup>®</sup>, operators realize improved product consistency/quality, can better manage their usage, and help maximize their operation's profitability compared to pre-sliced packaged tomato alternatives.



**DIMENSIONS**

Model Number	Width in(cm)	Height in(cm)	Length in(cm)	Shipping Weight lb(kg)	Shipping cu.ft. (cu.m.)
943 Series	8.50 (21.60)	9.34 (23.72)	18.32 (46.50)	14.00 (6.40)	.90 (.03)

**CERTIFICATIONS**



953



943-042