



Citrus Saber Product # CW Series

The Prince Castle CW-Series Citrus Saber® is an economical solution to wedging, perfectly sectioning fruits and vegetables, including lemons, limes and tomatoes into perfect portions. The Citrus Saber® is the ideal choice for drinks, salads and garnishes. The Citrus Saber® is perfect for operations with minimal counter space due to its compact size.

The Citrus Saber® is constructed of high-impact plastic, making it extremely durable. It is easy to clean and use, and includes an 8 section wedger. Available in both yellow and black.

Product Features

- Produces uniform and attractive wedges.
- Easy to use.
- Stainless steel blades recessed deep into handle, ensuring safer operation.
- Simple to clean – just rinse.
- Constructed of high-impact, durable plastic.

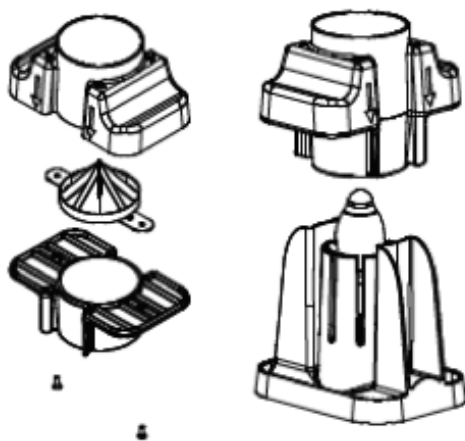
Dimensions

| Model Number | Width in (cm) | Length in (cm) | Height in (cm) | Shipping Weight lbs (kg) |
|--------------|---------------|----------------|----------------|--------------------------|
| CW-Series | 8.00 (20.30) | 7.03 (17.80) | 8.03 (20.40) | 3.00 (1.36) |

Ordering Information

| Model Number | Description |
|--------------|--|
| CW-1 | Black Citrus Saber (8 section wedger) |
| CW-6 | Yellow Citrus Saber (8 section wedger) |
| 925-059S | Replacement Blade Set for Citrus Saber |

Specifications



Certifications



355 E. Kehoe Blvd.
Carol Stream, IL 60188

1.800.PCASTLE • 630.462.8800
www.princecastle.com

