



DEAN

Job No. _____

Item No. _____

Quantity _____

SDU50 and SDU90

Shortening Disposal Units



Specifically designed for the disposal of waste oil

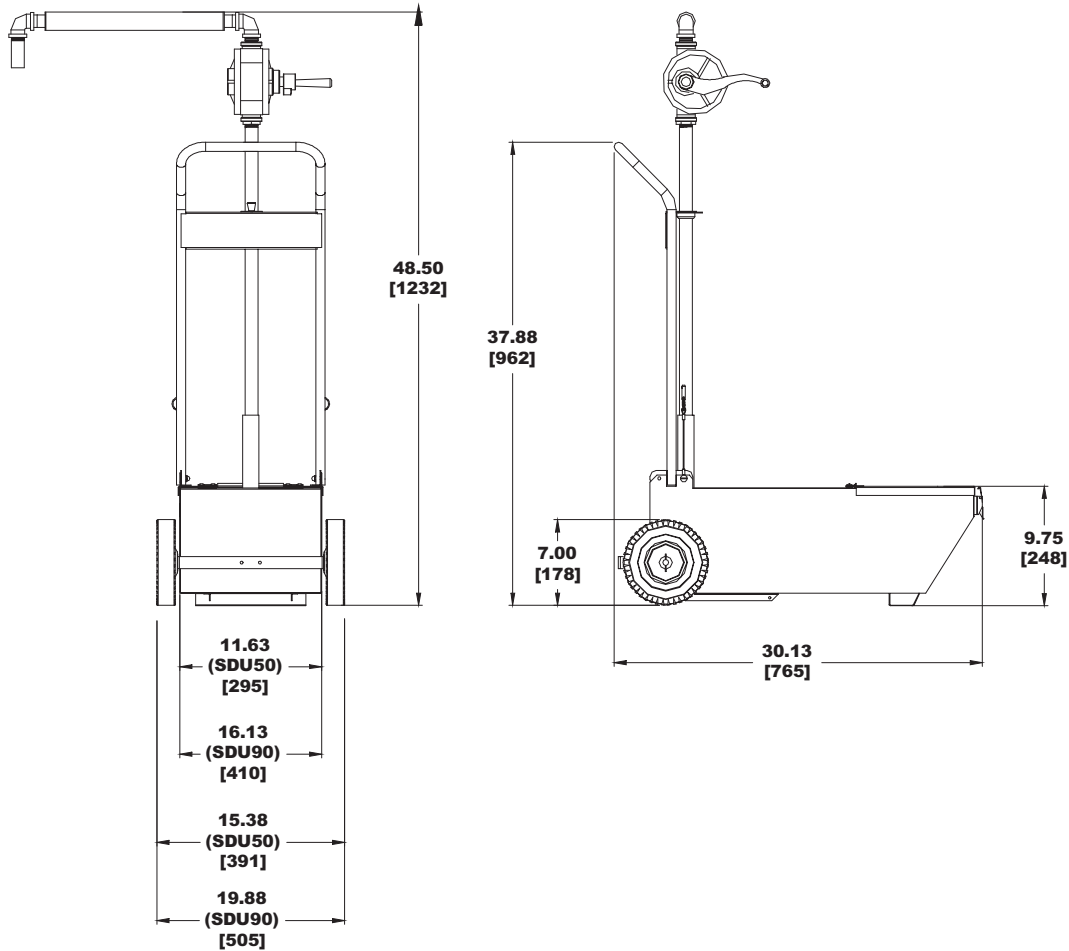
Dean provides the answer for the transportation of waste oil from the kitchen to the disposal container, with shortening disposal units, available in 50- and 90-lb. (23 and 41 kg) capacities. They are made with the following features:

- **Drain height of 9 5/8" (244 mm)** (with cover open) allows unit to fit under most fryers to permit direct draining of fryers into unit or under drain for fryers with built-in filtration system.
- **Low center of gravity** provides stability.
- **Heavy-duty manual pump** can empty 50 lbs. (23 kg) of oil in less than 60 seconds.
- **Pump located at convenient height** -- no stooping or bending required to operate; and there are no hoses to break or be misdirected.
- **Large 7" (178 mm) wheels** provide easy transporting of oil, even across parking lots; and no lifting is necessary.
- **Warranty** -- 90 days parts and labor; pump warranted one year, parts only.
- **SDU50** fits most filter cabinets or fryers to allow easy disposal of up to 50 lbs. (23 kg) or used oil.
- **SDU90** fits larger filter cabinet to allow easy disposal of up to 90 lbs. (41 kg) of used oil.
- Can ship UPS.

ISO 9001:2000



SDU50 and SDU90 Shortening Disposal Units



DIMENSIONS -- Inches (mm)

MODEL NO.	SHORTENING CAPACITY	ASSEMBLED SIZE			DRAIN HEIGHT	NET WEIGHT	SHIPPING INFORMATION			SHIPPING DIMENSIONS		
		HEIGHT	WIDTH	LENGTH			WEIGHT	CLASS	CUBE	HEIGHT	WIDTH	LENGTH
SDU50	50 lbs. (23 kg)	48.50" (1232)	15.38" (391) Overall 11.63" (295) Tank Only	30.13" (765)	9.62" (244) w/door open	45 lbs. (20 kg)	54 lbs. (24 kg)	85	7	20" (508)	21" (533)	30" (762)
SDU90	90 lbs (41 kg)	48.50" (1232)	19.88" (505) Overall 16.13 (410) Tank Only	30.13" (765)	9.62" (244) w/door open	49 lbs. (22 kg)	58 lbs. (26 kg)	85	10	20" (508)	23" (584)	39" (991)

SHORT FORM SPECIFICATION

Shall be DEAN shortening disposal unit, Model # _____, only _____" wide x _____" deep with _____oil capacity.

DEAN, whose policy is one of constant improvement, reserves the right to amend specifications without prior notice.

ORDERING DATA

Please specify:

SDU50 -- 50 lb. (28 L) capacity

SDU90 -- 90 lb. (50 L) capacity

