

ProServe® Sheet Pan Rack System

Safely transport food from oven to freezer.

- Encourage employee safety with user-friendly handles and protective bumpers
- PanGuard™ locking bar secures pan, and extend base enhances stability to eliminate costly spills
- Easy-to-clean industrial-grade plastic top and bottom and chrome-plated side panels resist rust and corrosion
- Holds 18" x 26" sheet pans at the base, not the edges, for added support
- Heavy-duty thread guard, 5" dia. x 1¼" wide (12.7 cm), features two locking casters
- Vinyl Rack Cover (FG9F9000) reduces cross-contamination when used with ProServe® Rack System
- ProServe® Rack System is NSF-Certified



FG9F9700



FG9F9000

NO.	COLOR	DESCRIPTION	PAN CAPACITY	U.S. DIMENSIONS	U.S. WEIGHT CAPACITY	U.S. SHIP WT/CTN	METRIC DIMENSIONS	METRIC WEIGHT CAPACITY	METRIC SHIP WT/CTN	CASE PACK
FG9F9700	BLA	ProServe® Standard Base Sheet Pan Rack	26 Slots w/ 2" (5.08 cm) spacing	23" l x 28" w x 69.63" h	300.0 lb	80.0 lb	58.4 cm x 71.1 cm x 178.8 cm	136.1 kg	36.3 kg	1
FG9F9000	CLR	Vinyl Rack Cover for FG9F9700, FG332000 Racks		23.5" l x 29.5" w x 70.5" h		5.5 lb	59.7 cm x 74.9 cm x 179.1 cm		2.5 kg	1

ProServe® Racks and Carts

Increase efficiency by maximizing space, transportation, and storage.

- Versatile system specially designed to work with food pans, food boxes, and sheet pans
- Impact-resistant structural web plastic components stand up to the most demanding kitchens
- Racks and carts are designed with soft, round corners that are easy on the walls, doors, and equipment
- Stylish design and quiet handling moves food easily from kitchen to dining room, minimizing expensive labor costs
- USDA Meat and Poultry Group listed
- NSF-certified for cleanability
- Casters are 5" (12.7 cm) nonmarking, swivel-plate design (two are lockable)



Convenient disposal hole helps keep worksurface clear of debris

FG331600

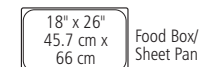
FG331500 / FG331700 Prep Cart-End Loader

Opening: 13" (33 cm)
Accommodates:



FG331600 Prep Cart-Side Loader

Opening: 26½" (66.4 cm)
Accommodates:



FG332400 Rack-Dual End Loader

Opening: 21¼" (53.5 cm)
Accommodates:



FG332000 Rack-End Loader

Opening: 19½" (50.32 cm)
Accommodates:

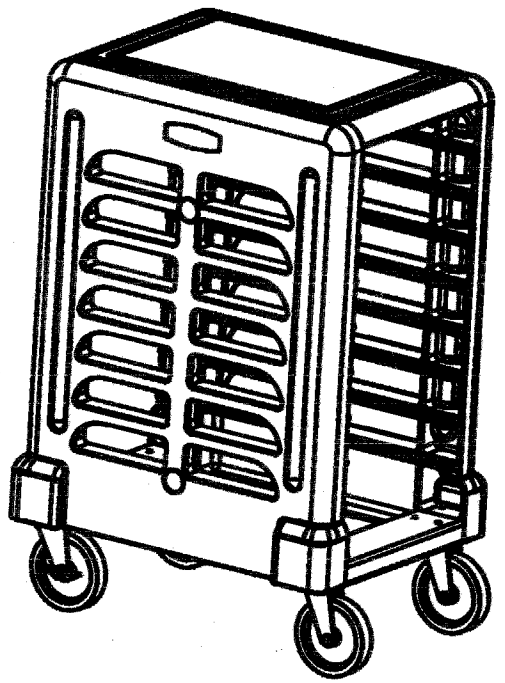
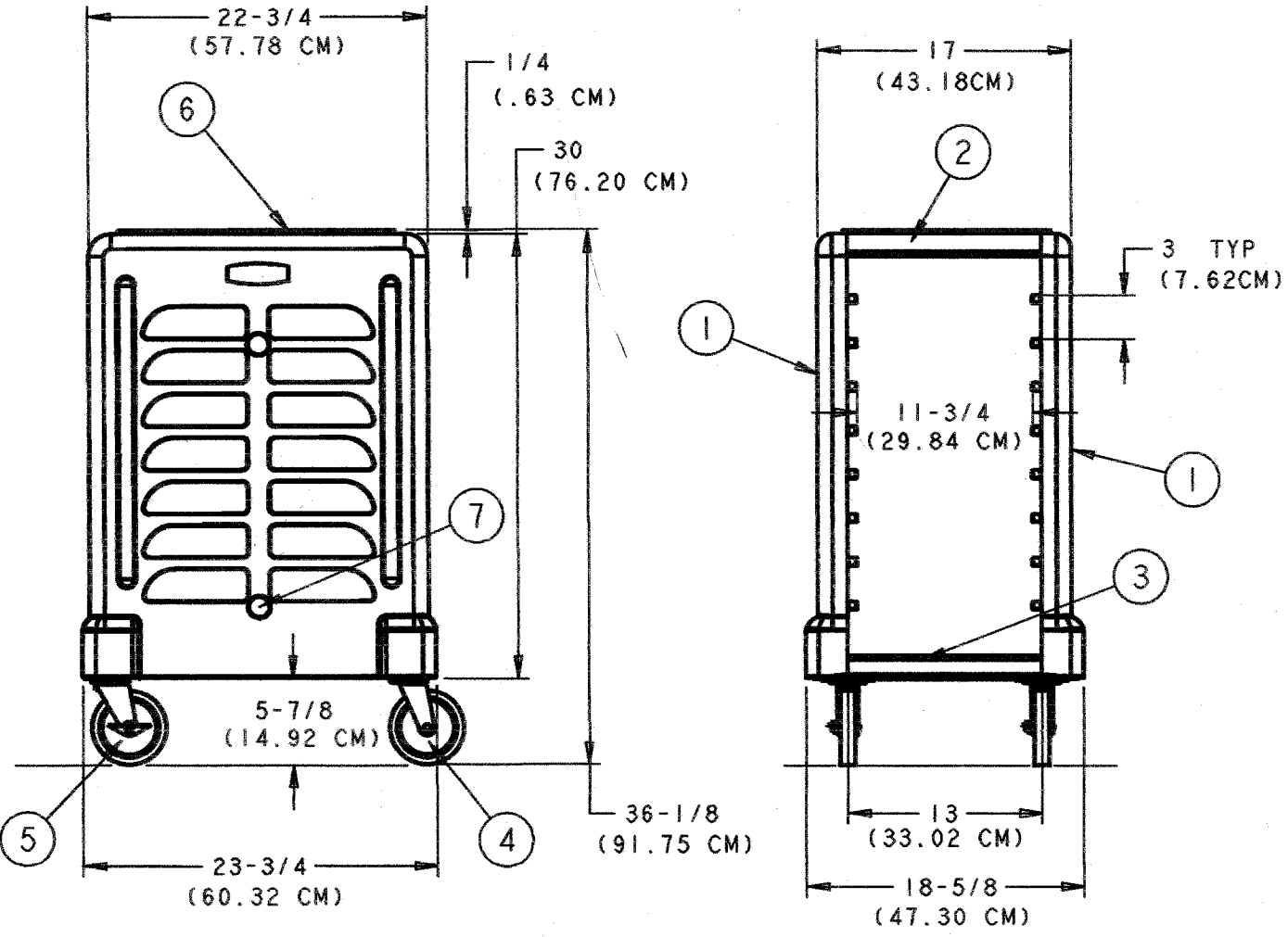


NO.	COLOR	DESCRIPTION	PAN CAPACITY	U.S. DIMENSIONS	U.S. SHIP WT/CTN	METRIC DIMENSIONS	METRIC SHIP WT/CTN	CASE PACK
FG331500 ^a	OWHT BLA	ProServe® Prep Cart with Cutting Board (8-slot end loader for full-size insert pans)	8	23.75" l x 18.63" w x 36.13" h	44.8 lb	60.3 cm x 47.3 cm x 91.8 cm	20.3 kg	1
FG331600 ^a	OWHT BLA	ProServe® Prep Cart with Cutting Board (8-slot side loader for food boxes and sheet pans)	8	31.75" l x 23.75" w x 36.13" h	52.0 lb	80.6 cm x 60.3 cm x 91.8 cm	23.6 kg	1
FG331700	OWHT BLA	ProServe® Rack (18-slot end loader for full-size insert pans)	18	23.75" l x 18.63" w x 67.88" h	68.4 lb	60.3 cm x 47.3 cm x 172.4 cm	31 kg	1
FG331900	OWHT	ProServe® Rack (18-slot side loader for food boxes and sheet pans)	18	31.75" l x 23.75" w x 67.88" h	72.3 lb	80.6 cm x 60.3 cm x 172.4 cm	32.8 kg	1
FG332000	OWHT BLA	ProServe® Rack (18-slot end loader for food boxes and sheet pans)	18	28.75" l x 23.75" w x 67.88" h	82.0 lb	73 cm x 60.3 cm x 172.4 cm	37.2 kg	1
FG332400	OWHT BLA	ProServe® Rack (18-slot dual loader for full-size insert pans)	18	26.7" l x 28.75" w x 67.88" h	82.0 lb	67.8 cm x 73 cm x 172.4 cm	37.2 kg	1

^aIncludes NSF Food Zone-approved Max System™ Cutting Board



No.	Description/Materials
1	PANEL - PP
2	TOP EXTRUSION - ALUM
3	BOTTOM EXTRUSION - ALUM
4	5" SWIVEL CASTER
5	5" SWIVEL CASTER W/BRAKE
6	CUTTING BOARD - PE 14 x 18 5/8 (35.56 x 47.30 CM)
7	PLUG - NYLON



total part wt. 39 LBS/18 Kg

capacity LOADED WEIGHT CAPACITY,
- 175 LBS/79 Kg, MAX.

agency approvals NSF STD. #2 SPLASH ZONE

miscellaneous ACCOMODATES 1/1, 1/2 AND 1/3
GASTRONORM FOOD PANS

Product Specifications

Rubbermaid RUBBERMAID COMMERCIAL PRODUCTS INC.

product name PREP CART-GASTRONORM
1/1 PAN END LOADER

product no. 3315 revision 1

product no. 3315