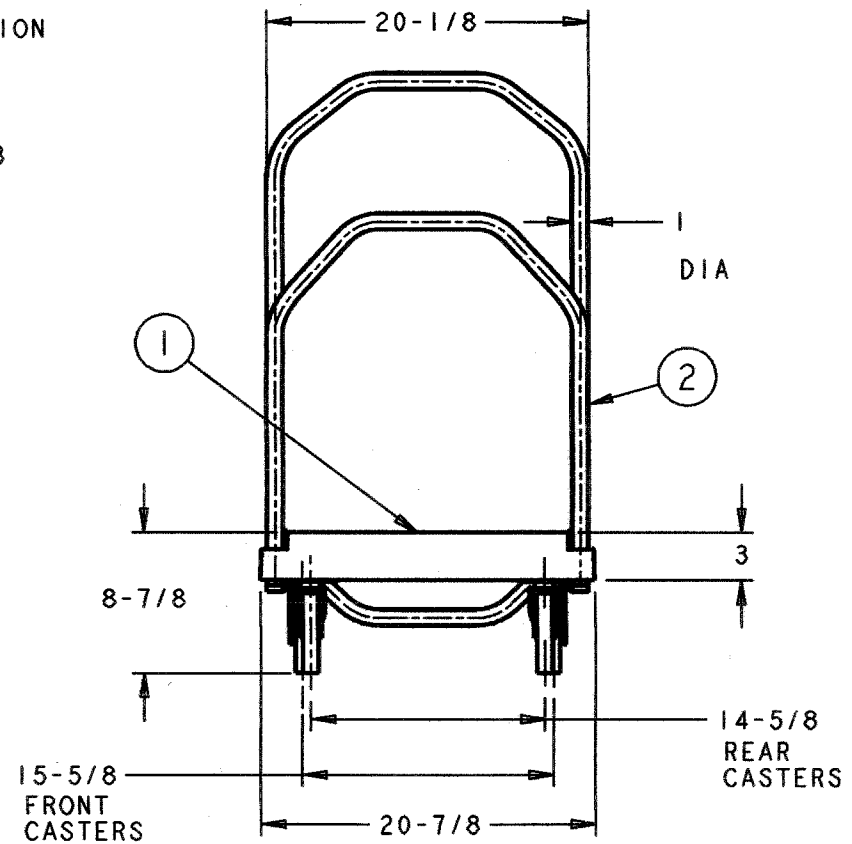
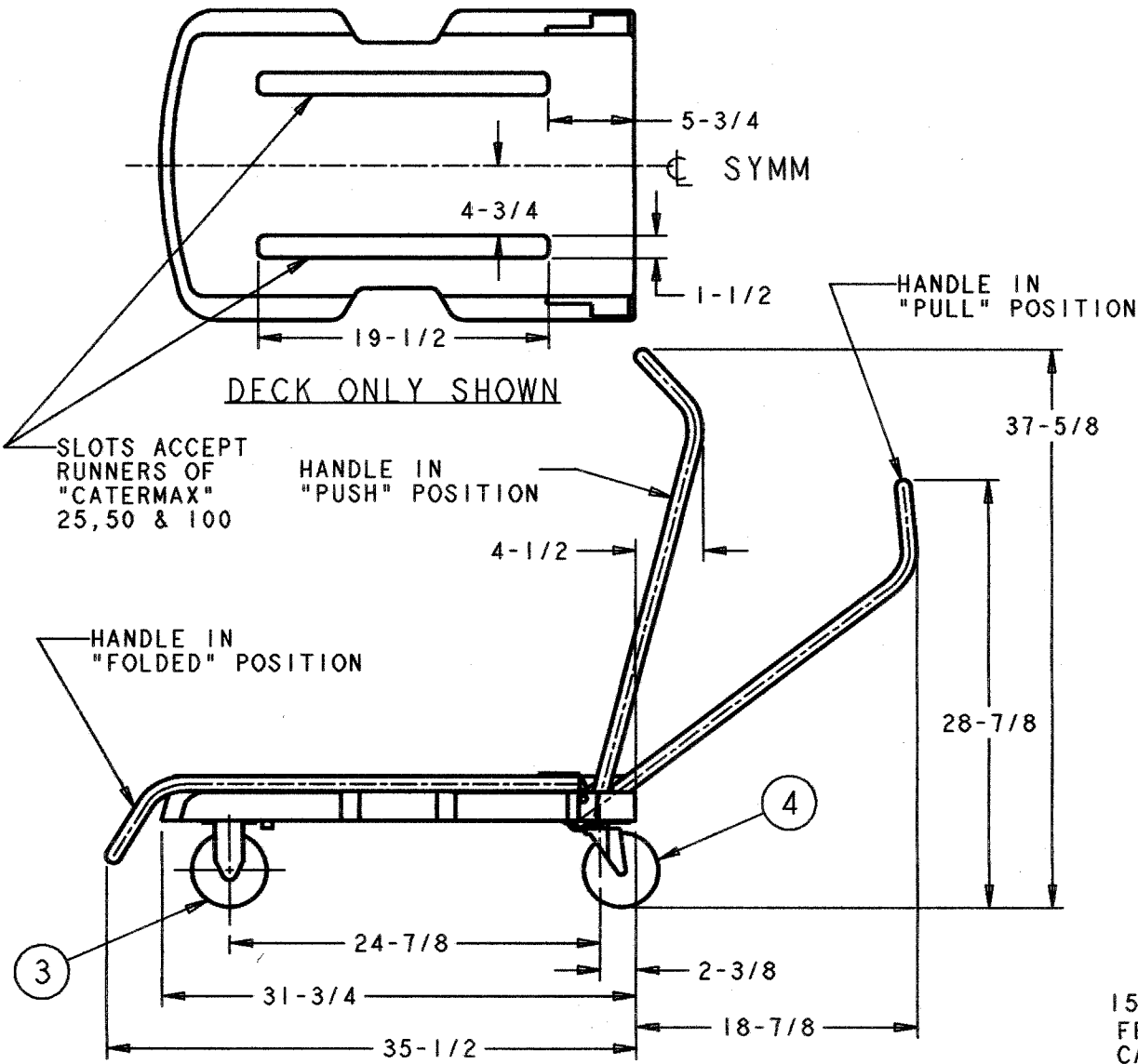


No.	Description/Materials
1	BODY - FOAMED PE
2	HANDLE - STEEL
3	CASTER, RIGID-STL/RBR
4	CASTER, SWIVEL W/BRAKE-STL/RBR



total part wt.	23 LBS.
capacity	400 LBS. LOAD (EVENLY DISTRIBUTED)

agency approvals	
miscellaneous	"STANDARD" VERSION WITH TWO 5" RIGID CASTERS, FRONT & TWO 5" SWIVEL CASTERS W/BRAKE, REAR

Product Specifications	
product name	"CATERMAX TRIPLE TROLLEY"
product no.	4401-86 revision 0

Product No. 4401-86