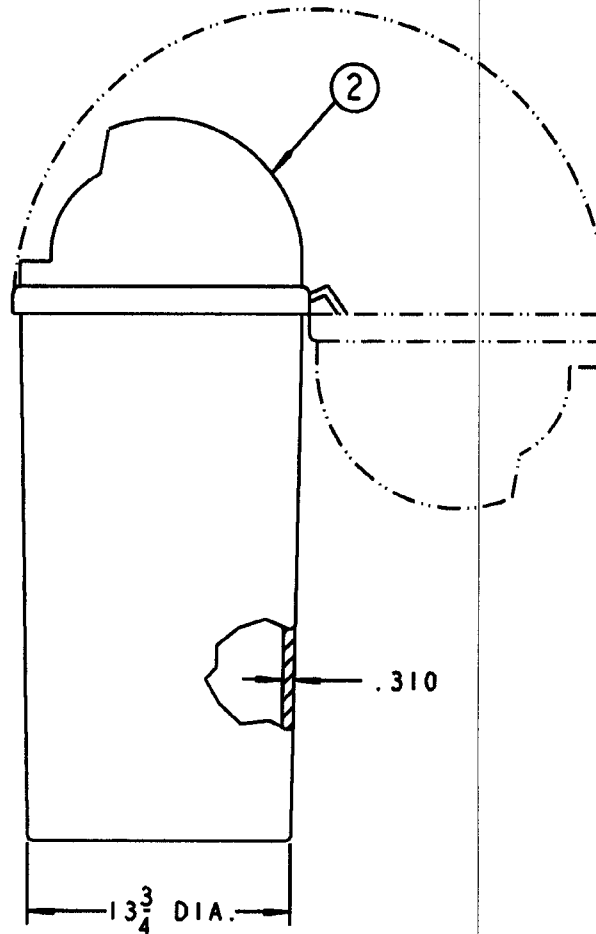
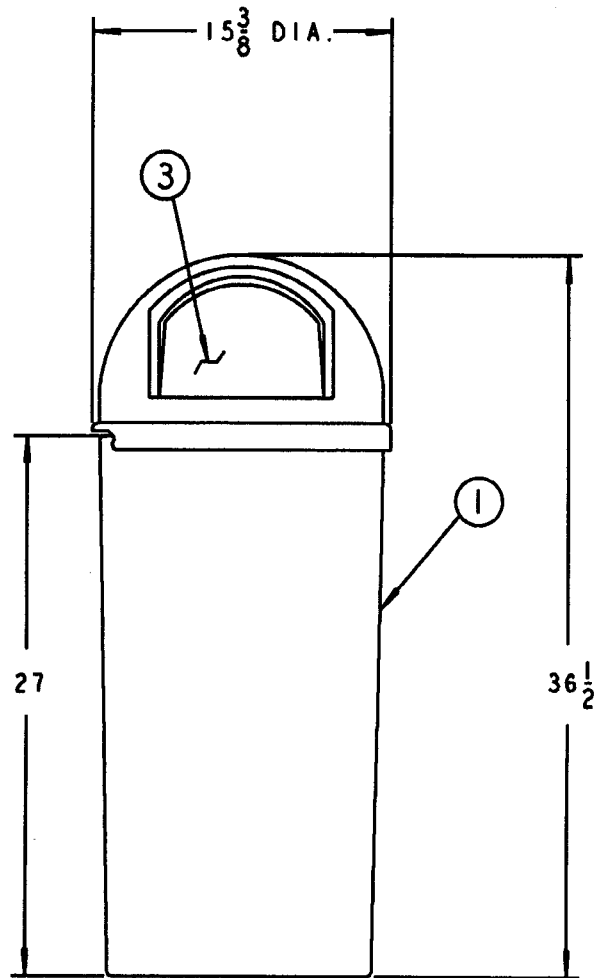



No.	Description/Materials
1	BASE - HDPE
2	DOME - HDPE
3	DOOR - HDPE



total part wt. <u>14.7 LBS.</u>	agency approvals <u>FM 6921, CSFM</u>	<b>Product Specifications</b>  RUBBERMAID COMMERCIAL PRODUCTS INC. product name <u>MARSHAL CONTAINER</u> product no. <u>8160-88</u> revision <u>8</u>
capacity <u>15.0 GALS.</u>	miscellaneous <u>USE LINER P/N 3550</u>	

product no. 8160-88