



STAINLESS STEEL
HAND SINKS
PANEL VALVE



Conforms To NSF 61/9 Lead Free Requirements

Item #: _____	Qty #: _____
Model #: _____	
Project #: _____	



7-PS-44

FEATURES:

- One piece **Deep Drawn** sink bowl design.
- Sink bowl is 10" x 14" x 5" deep.
- Stainless steel Apron bolts to sink. Apron conceals plumbing on all three sides.
- Faucet activated by push of front panel.
- Hot water adjustment valve accessed by raising front of panel.
- All sink bowls have a large liberal radii with a minimum dimension of 2" and are rectangular in design for increased capacity.
- "Hands Free" splash mounted gooseneck faucet furnished with aerator.
- Stainless steel basket drain 1-1/2" IPS.

CONSTRUCTION:

- All TIG welded.
- Welded areas blended to match adjacent surfaces and to a satin finish.
- Die formed Countertop Edge with a 3/8" No-Drip offset.
- One sheet of stainless steel - No Seams.

MATERIAL:

- Heavy gauge type 304 series stainless steel.
- Wall mounting bracket is galvanized steel and of offset design.
- All fittings are brass / chrome plated unless otherwise indicated.

MECHANICAL:

- Spout supply is 1/2" IPS male thread.
- Faucet Flow Rate:** 1.0 GPM/3.8 LPM aerator. 60 PSI.
- Valve is barrel type and is activated by pushing the front of panel.
- (Contractor on site must connect faucet to knee operated valves.)

⚠ WARNING:

Equipment that includes a faucet may expose you to chemicals, including lead, that are known to the State of California to cause cancer or birth defects or other reproductive harm. For more Info., visit www.p65warnings.ca.gov.



Customer Service Available To Assist You **1-800-645-3166** 8:30 am - 7:00 pm E.S.T.

For Orders & Customer Service:

Email: customer@advancetabco.com or Fax: 631-242-6900

For Smart Fabrication™ Quotes:

Email: smartfab@advancetabco.com or Fax: 631-586-2933

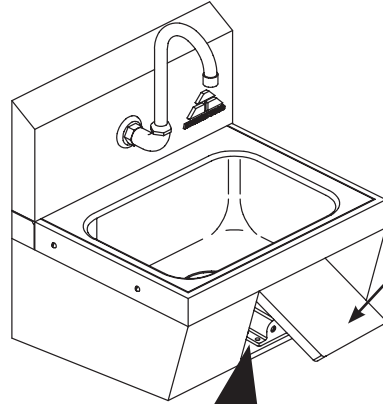
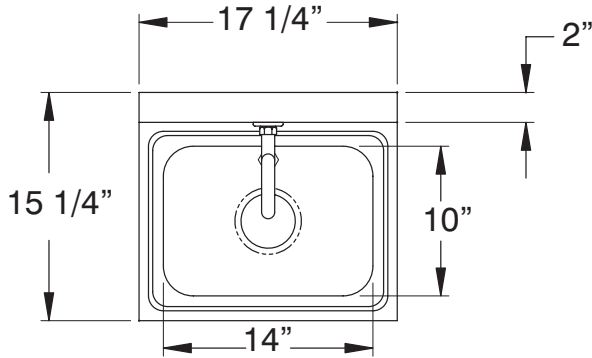
DIMENSIONS and SPECIFICATIONS

TOL Overall: ± .500" Interior: ± .250"

FITTINGS SUPPLIED AS SHOWN

ALL DIMENSIONS ARE TYPICAL

7-PS-44

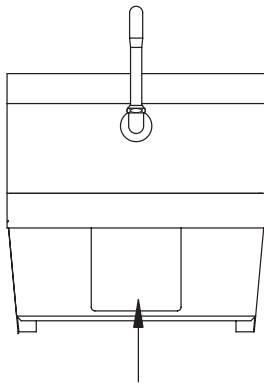


Panel Lifts to Access Hot Water Adjustment Valve

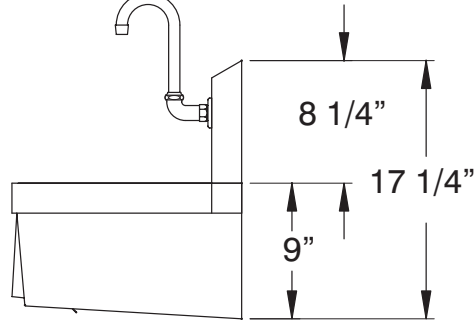


Water temperature can be adjusted by inserting a flat head screwdriver into the mixing valve to achieve desired water temperature.

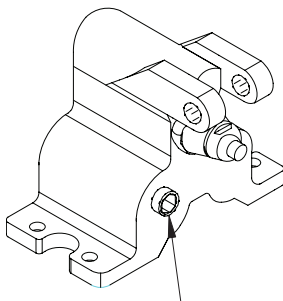
Gooseneck Faucet



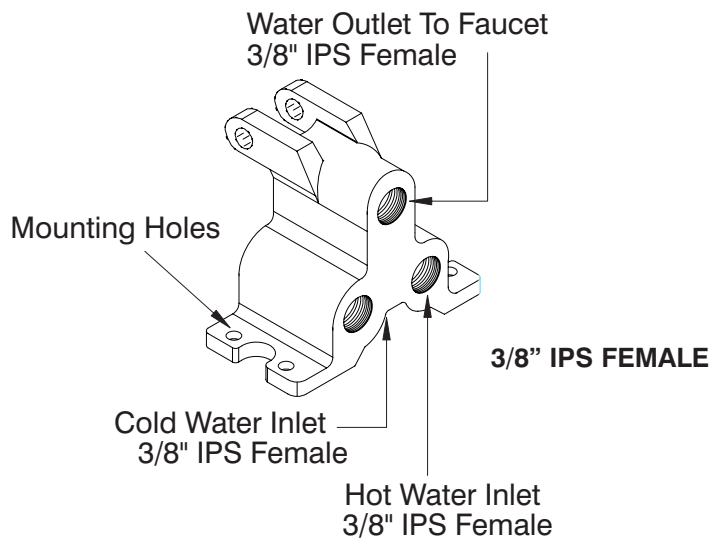
Plunger Panel



VALVE DETAIL



Hot Water Control Valve



REF-B

325 Wireless Boulevard, Hauppauge, NY 11788

ADVANCE TABCO is constantly engaged in a program of improving our products. Therefore, we reserve the right to change specifications without prior notice.

© ADVANCE TABCO, FEBRUARY 2020