



STAINLESS STEEL

REGALINE SINKS

One & Two Compartments without Drainboards



"930" and "900" Series shown



"940" Series shown

Item #: _____ Qty #: _____
 Model #: _____
 Project #: _____

FEATURES:

Tile edge for ease of installation.
 One piece **Deep Drawn** sink bowls with splash.
 Featuring the single bowl unit design.
 All sink bowls have a large liberal 3" radius.
 Placement of the welded leg assembly ensures stability and furnishes direct support of the column load requirement for the entire sink unit.
 "940" series is supplied with adjustable front and rear cross brace.

CONSTRUCTION:

All TIG welded.
 Welded areas blended to match adjacent surfaces and to a satin finish.
 Gussets welded to a die-embossed reinforcing channel.

Spec-Line: 940 Series - 11" High Splash.
Standard: 930 Series - 8" Splash.
Super Saver: 900 Series - 8" Splash.

MATERIAL:

940 Series: 14 gauge type 304 stainless steel.
930 Series: 16 gauge type 304 stainless steel.
900 Series: 18 gauge type 304 stainless steel.

- LEGS:**
- 1 5/8" diameter tubular stainless steel.
 - Stainless steel gussets & channels.
 - Stainless Steel 1" adjustable bullet feet.

YES! It's SeaLess!

| BOWL SIZE | O.A. LENGTH (inches) (mm) | # of Compartment | SPEC-LINE 940 Series | | STANDARD 930 Series | | SUPER SAVER 900 Series | | Cubic Feet | |
|-------------------------------|------------------------------|---------------------|-----------------------------------|------------------------------------|-----------------------------------|------------------------------------|-----------------------------------|------------------------------------|---------------|----|
| | | | 14 Ga. 304 S/S 14" Water Level | | 16 Ga. 304 S/S 12" Water Level | | 18 Ga. 304 S/S 12" Water Level | | | |
| | | | MODEL # | Approx. Wt. (lbs.) | MODEL # | Approx. Wt. (lbs.) | MODEL # | Approx. Wt. (lbs.) | | |
| 16 x 20 (406 x 508) | 25" | 635 | One | 94-1-24 | 77 | 93-1-24 | 66 | 9-1-24 | 49 | 20 |
| | 44" | 1118 | Two | 94-2-36 | 109 | 93-2-36 | 76 | 9-2-36 | 66 | 20 |
| 20 x 20 (508 x 508) | 29" | 737 | One | 94-21-20 | 92 | 93-21-20 | 60 | 9-21-20 | 61 | 20 |
| | 52" | 1321 | Two | 94-22-40 | 116 | 93-22-40 | 80 | 9-22-40 | 79 | 23 |
| 18 x 24 (457 x 610) | 27" | 686 | One | 94-61-18 | 95 | 93-61-18 | 78 | 9-61-18 | 69 | 44 |
| | 48" | 1207 | Two | 94-62-36 | 165 | 93-62-36 | 154 | 9-62-36 | 129 | 56 |
| 24 x 24 (610 x 610) | 33" | 838 | One | 94-41-24 | 93 | 93-41-24 | 85 | 9-41-24 | 85 | 23 |
| | 60" | 1524 | Two | 94-42-48 | 174 | 93-42-48 | 145 | 9-42-48 | 145 | 31 |
| 20 x 28 (508 x 711) | 29" | 737 | One | 94-81-20 | 123 | 93-81-20 | 97 | 9-81-20 | 97 | 27 |
| | 52" | 1321 | Two | 94-82-40 | 185 | 93-82-40 | 160 | 9-82-40 | 160 | 45 |
| | | | | 14" Water Level 17" Flood Level | | 12" Water Level 15" Flood Level | | 12" Water Level 15" Flood Level | | |



Customer Service Available To Assist You **1-800-645-3166** 8:30 am - 8:00 pm E.S.T.

Email Orders To: customer@advancetabco.com. For Smart Fabrication™ Quotes, Email To: smartfab@advancetabco.com or Fax To: 631-586-2933

NEW YORK
 Fax: (631) 242-6900

GEORGIA
 Fax: (770) 775-5625

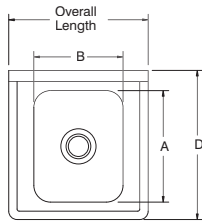
TEXAS
 Fax: (972) 932-4795

NEVADA
 Fax: (775) 972-1578

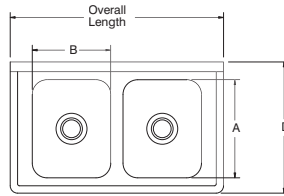
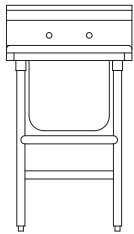
DIMENSIONS and SPECIFICATIONS

TOL Overall: ± .500"
Interior: ± .250"

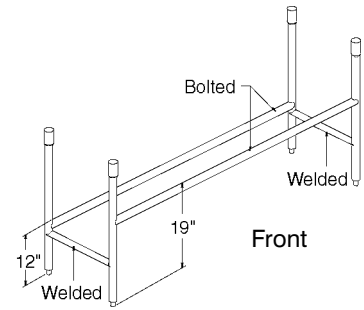
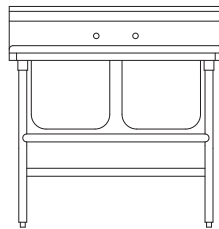
ALL DIMENSIONS ARE TYPICAL



1 Compartment



2 Compartment

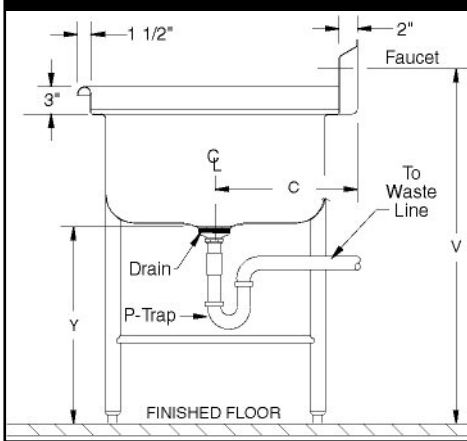


940 Series Cross Bracing

DESCRIPTION

| BOWL (SIZE) | # of Compart. | Overall Length | Recommended Use | A | B | C | D | 940 SERIES | | | | | 900 & 930 SERIES | | | | |
|-------------|---------------|----------------|------------------|-----|-----|---------|-----|------------|-----|-----|-----|-----|------------------|----|-----|-----|-----|
| | | | | | | | | V | W | X | Y | Z | V | W | X | Y | Z |
| 16x20 | One | 25" | DISH SINKS | 20" | 16" | 13 5/8" | 27" | 38" | 11" | 14" | 20" | 45" | 38" | 8" | 12" | 22" | 42" |
| | Two | 44" | | | | | | | | | | | | | | | |
| 20x20 | One | 29" | DISH & POT SINKS | 20" | 20" | 13 5/8" | 27" | 38" | 11" | 14" | 20" | 45" | 38" | 8" | 12" | 22" | 42" |
| | Two | 52" | | | | | | | | | | | | | | | |
| 18x24 | One | 27" | POT & PAN SINKS | 24" | 18" | 15 5/8" | 31" | 38" | 11" | 14" | 20" | 45" | 38" | 8" | 12" | 22" | 42" |
| | Two | 48" | | | | | | | | | | | | | | | |
| 24x24 | One | 33" | POT SINKS | 24" | 24" | 15 5/8" | 31" | 38" | 11" | 14" | 20" | 45" | 38" | 8" | 12" | 22" | 42" |
| | Two | 60" | | | | | | | | | | | | | | | |
| 20x28 | One | 29" | PAN SINKS | 28" | 20" | 17 5/8" | 35" | 38" | 11" | 14" | 20" | 45" | 38" | 8" | 12" | 22" | 42" |
| | Two | 52" | | | | | | | | | | | | | | | |

PLUMBING ROUGH-IN



MECHANICAL:

- Supply is 1/2" IPS hot & cold.
- Faucet holes on 8" centers.
- Faucets are not included (**see accessories**).
- Waste drains are 1 1/2" IPS S/S basket type, located in center of sink bowl, and are included.



SECTION

