



STAINLESS STEEL
DROP-IN SINKS
ONE COMPARTMENT
NO DRIP SELF-RIMMED EDGE



Item #: _____ Qty #: _____
 Model #: _____
 Project #: _____

DIMENSIONS and SPECIFICATIONS

TOL ± .125"

ALL DIMENSIONS ARE TYPICAL

MODEL#	COMP	OVERALL LxW	BOWL SIZE LxW	DEPTH
DI-1-1515	1	15" x 15"	12-1/4" x 10-1/4"	6"

Length is Left to Right. Width is Front to Back

FEATURES:

One piece seamless **Deep Drawn** stainless steel bowl.
 Self rimming design & bowl is sound deadened.
 Raised, No Drip Self-Rim Edge. Mounting clips provided accommodates all thicknesses of counter.
 K-52 faucet and drain

MATERIALS:

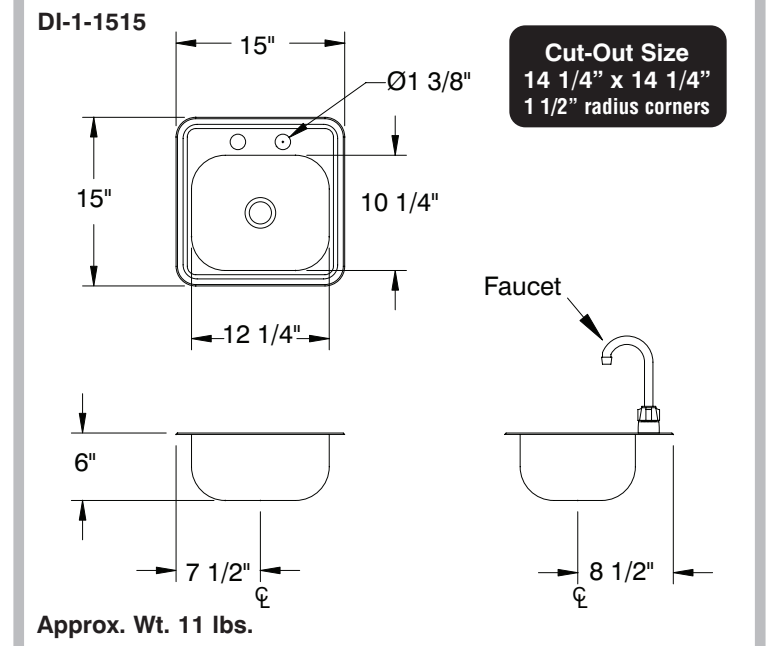
Stainless Steel Type 304, 20 Gauge.
 Stainless Steel 3-1/2" Basket Drain.
 Faucet is brass-nickel plated.

DESIGN:

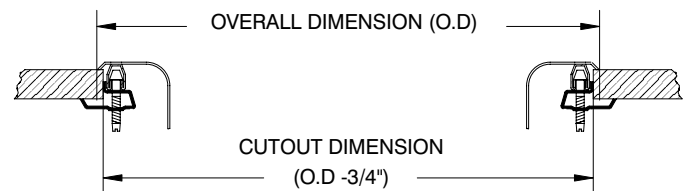
Unit punched with 1-3/8" dia. faucet holes.

MECHANICAL:

Faucet supply is 1/2" IPS male thread.
 Deck mounted faucet is furnished with aerator and 4" O.C.
Faucet Flow Rate: 1.0 GPM/3.8 LPM aerator. 60 PSI.



TYPICAL INSTALLATION



Cut-Out Size = L to R x F to B

Standard Mounting Clips Fit Countertops Over 7/8" & Up To 2" Thick.



STANDARD MOUNTING CLIPS

For countertops over 7/8" and up to 2" thick.

Replacement # K-28 (Per Sink)

Available Faucets & Accessories	Model #	Qty
Deck Mounted 3 1/2" Gooseneck. 4" O.C.	K-52	
Deck Mtd. X.H.D. 3 1/2" Gooseneck. 4" O.C.	K-62	
Mounting Clips (Bag of 4).	K-28	

WARNING: Faucets on this page may expose you to chemicals, including lead, that are known to the State of California to cause cancer or birth defects or other reproductive harm. For more info, visit www.p65warnings.ca.gov.



Customer Service Available To Assist You **1-800-645-3166** 8:30 am - 7:00 pm E.S.T.

For Orders & Customer Service:

Email: customer@advancetabco.com or Fax: 631-242-6900

For Smart Fabrication™ Quotes:

Email: smartfab@advancetabco.com or Fax: 631-586-2933