



STAINLESS STEEL

DROP-IN SINKS

Two Compartments - FOR GENERAL PURPOSE USE

NSF NOTE: Multi-Compartment Drop-In Sinks ARE NSF Approved when used in Mobile Food Carts and Kiosks only.

Item #: _____ Qty #: _____
 Model #: _____
 Project #: _____

FEATURES:

One piece seamless **Deep Drawn** sink bowl design.
 All sink bowls have a large liberal radii with a minimum dimension of 2" and are rectangular in design for increased capacity.
 Self-Rim Design. Mounting clips provided accommodates all thicknesses of counter. (Quantity supplied varies based on drop in sink ordered).
 Includes 4" O.C. **K-50** faucet & basket drain.

CONSTRUCTION:

Bowls fabricated from one sheet of stainless steel.
 All bowls are Sound Deadened.
 Units feature Advance Tabco's **Smart Finish™**.

MECHANICAL:

Faucet supply is 1/2" IPS male thread.
 Deck mounted faucets are furnished with aerator.
Faucet Flow Rate: 1.0 GPM/3.8 LPM aerator. 60 PSI.

MATERIAL:

18 gauge type 304 series stainless steel.
 Faucets are brass-nickel plated.
 Stainless Steel 1-1/2" IPS basket drain.



DI-2-10



DI-2-2012



DI-2-1410



DI-2-208



STANDARD MOUNTING CLIPS
 For countertops over 7/8" and up to 2" thick.
 Replacement # K-28 (Per Sink)

Available Faucets & Accessories	Model #	Qty
Deck Mounted 8" Swing Spout. 4" O.C.	K-50	
Deck Mounted 12" Swing Spout. 4" O.C.	K-53	
Deck Mounted 8 1/2" Gooseneck. 4" O.C.	K-55	
Deck Mounted Swing w/Spray. 8" O.C.*	K-58	
Mounting Clips (Bag of 4).	K-28	

*REQUIRES K-472 FAUCET HOLE REVISION

WARNING: Faucets on this page may expose you to chemicals, including lead, that are known to the State of California to cause cancer or birth defects or other reproductive harm. For more Info., visit www.p65warnings.ca.gov.



Customer Service Available To Assist You 1-800-645-3166 8:30 am - 7:00 pm E.S.T.

For Orders & Customer Service:
 Email: customer@advancetabco.com or Fax: 631-242-6900

For Smart Fabrication™ Quotes:
 Email: smartfab@advancetabco.com or Fax: 631-586-2933

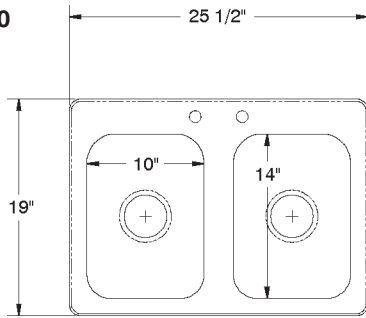
DIMENSIONS and SPECIFICATIONS

TOL ± .125"

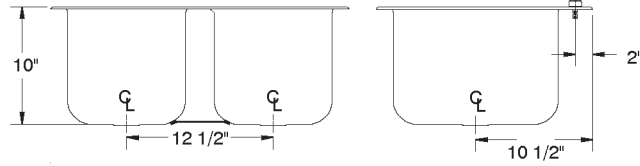
Supplied with K-50 Faucet & K-6 Basket Drain

ALL DIMENSIONS ARE TYPICAL

DI-2-10

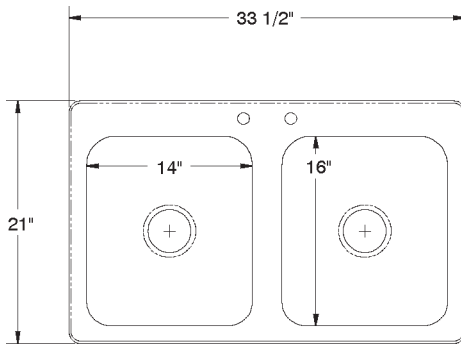


Cut-Out Size
24 3/4" X 18 1/4"
1 1/4" radius corners

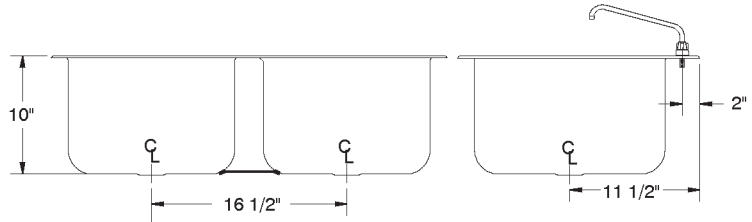


Approx. Wt. 26 lbs.

DI-2-1410



Cut-Out Size
32 3/4" X 20 1/4"
1 1/4" radius corners

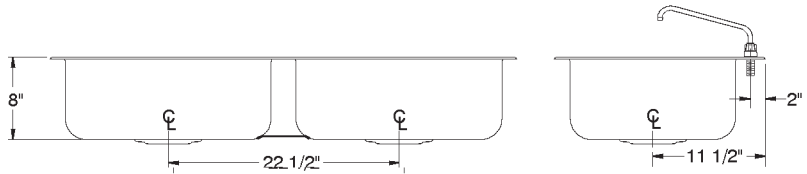
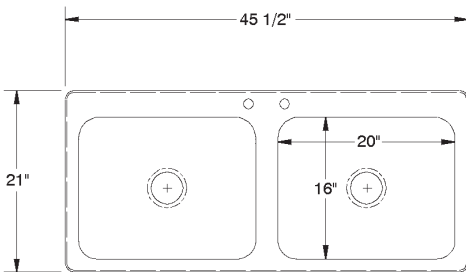


Approx. Wt. 35 lbs.

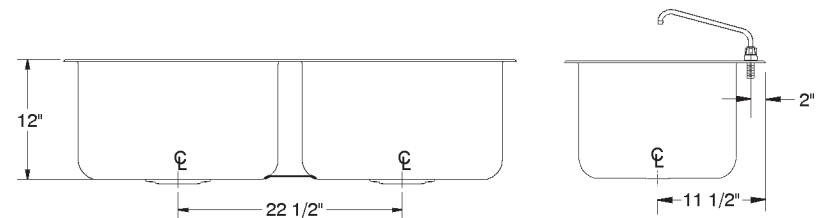
DI-2-208 & DI-2-2012

Cut-Out Size
44 3/4" X 20 1/4"
1 1/4" radius corners

TOP VIEW



Approx. Wt. 38 lbs.



Approx. Wt. 42 lbs.

TYPICAL INSTALLATION

Cut-Out Size = L to R x F to B

Standard Mounting Clips Fit Countertops
Over 7/8" & Up To 2" Thick.

