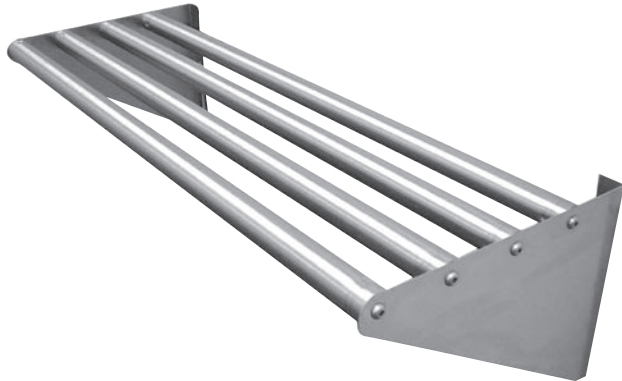




STAINLESS STEEL

# TUBULAR WALL MOUNTED KNOCKDOWN DRAINAGE SHELVES



**Item #:** \_\_\_\_\_ **Qty #:** \_\_\_\_\_

**Model #:** \_\_\_\_\_

**Project #:** \_\_\_\_\_

Model	Length	Wt.	Cu.
DT-6R-36	15" x 36"	23	2
DT-6R-48	15" x 48"	32	3
DT-6R-60	15" x 60"	39	4
DT-6R-72	15" x 72"	46	5

**FEATURES:**

15" Deep, horizontal surface area accommodates a variety of drainage applications.

**CONSTRUCTION:**

Knock Down Design for ease of field installation and lower freight costs.

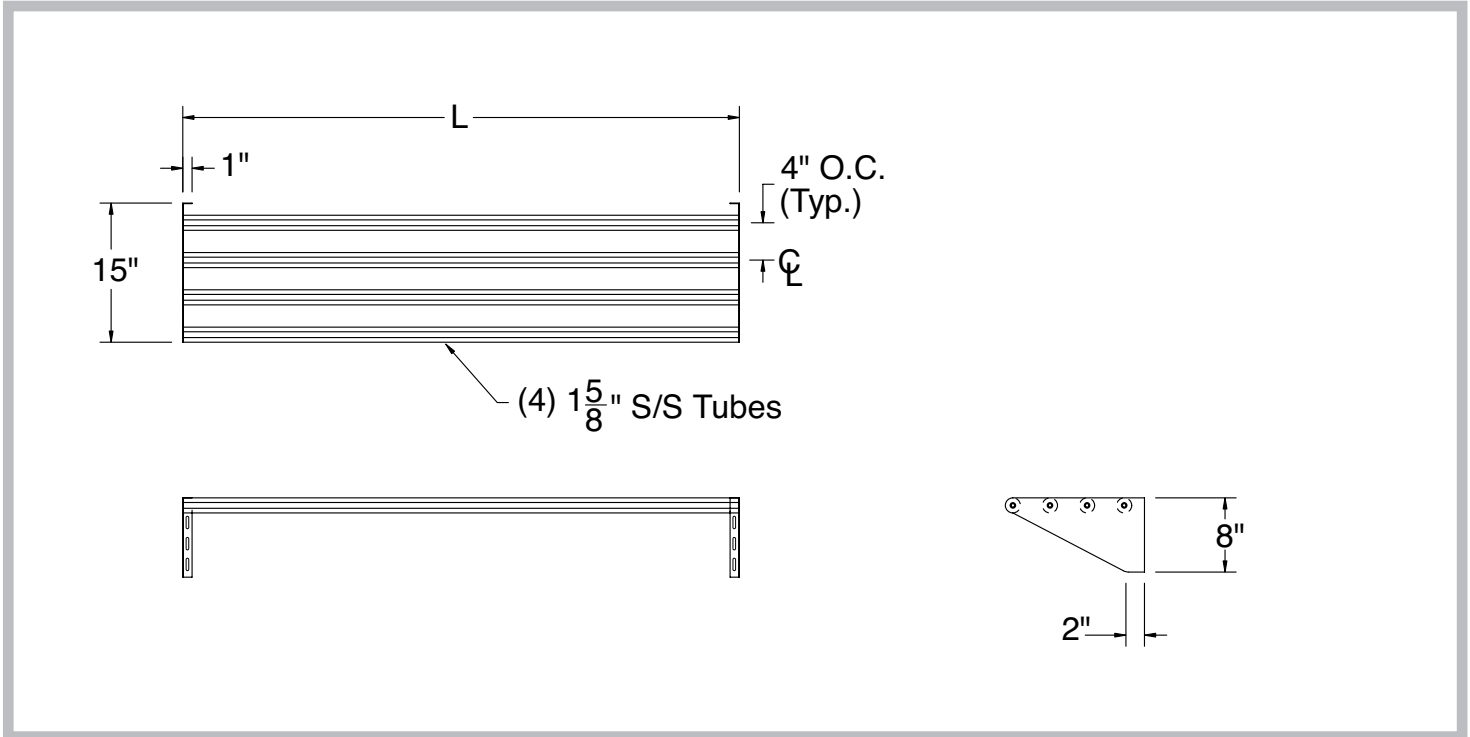
**MATERIAL:**

1 5/8" diameter stainless steel type "300" tubing.  
Side brackets type "300" stainless steel.

## DETAILS and SPECIFICATIONS

TOL ± .500"

ALL DIMENSIONS ARE TYPICAL



Customer Service Available To Assist You 1-800-645-3166 8:30 am - 8:00 pm E.S.T.

For Orders & Customer Service:  
Email: customer@advancetabco.com or Fax: 631-242-6900

For Smart Fabrication™ Quotes:  
Email: smartfab@advancetabco.com or Fax: 631-586-2933