



STAINLESS STEEL  
**FABRICATED ECONOMY  
 CORNER SINK** NSF



**FC-K6-18D**

*Shown with Optional Faucets*

**MATERIAL:**

2 "H" leg assemblies and 1 single leg.  
 Legs are 1 5/8" diameter stainless steel with  
 1" adjustable stainless steel bullet feet.  
 Entire unit is 16 gauge 304 stainless steel.  
 Gussets - stainless steel.

**MECHANICAL:**

- Supply is 1/2" IPS hot & cold.
- 2 Sets of Faucet holes on 8" centers.
- Faucets are not included (**see accessories**).
- Waste drains are 1 1/2" IPS S/S basket type, located in center of sink bowl, and are included

**FEATURES:**

Backsplash has tile edge for ease of installation.  
 Sink bowls are 3/4" coved corner and meet NSF requirements.  
 Rolled Rim Edge for additional strength.  
 3 Sink Bowls Measuring 18" x 18" x 14"  
 2 Drainboards Measuring 18" x 18"

**CONSTRUCTION:**

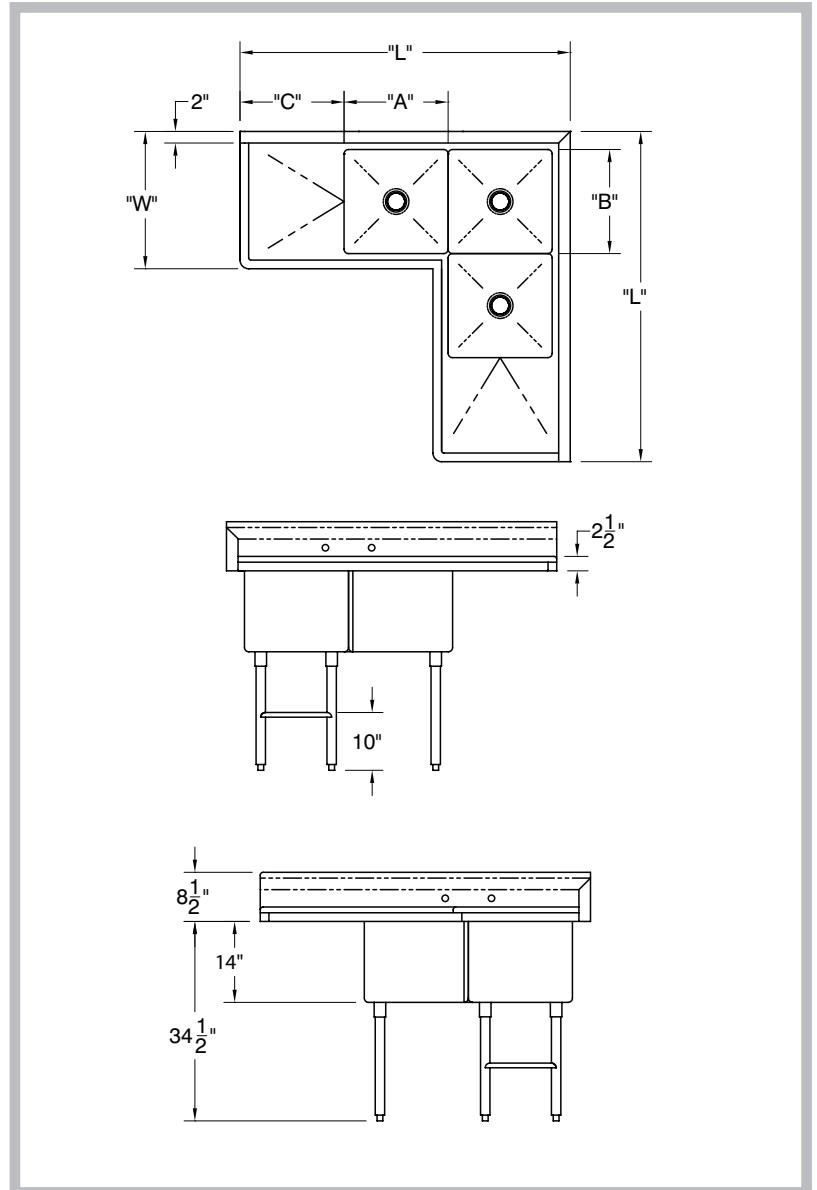
All TIG welded.  
 Welded areas blended to match adjacent surfaces and to a satin finish.  
 Gussets welded to a die-formed reinforced plate.

Item #: \_\_\_\_\_ Qty #: \_\_\_\_\_  
 Model #: \_\_\_\_\_  
 Project #: \_\_\_\_\_

**DIMENSIONS and  
 SPECIFICATIONS**

TOL ± .500"

ALL DIMENSIONS ARE TYPICAL



MODEL #	"A"	"B"	"C"	"L"	"H"
FC-K6-18D	18"	18"	18"	57"	24"



**Customer Service Available To Assist You 1-800-645-3166 8:30 am - 8:00 pm E.S.T.**

For Orders & Customer Service:  
 Email: customer@advancetabco.com or Fax: 631-242-6900

For Smart Fabrication™ Quotes:  
 Email: smartfab@advancetabco.com or Fax: 631-586-2933