



# DELUXE AND BUDGET DRAWERS

- Stainless Steel Front
- Ball Bearing Slides
- Removable Inset



MODEL #	Width	Description	Inset
SS-2015	17 3/4"	Stainless Steel	20" x 15" x 5"
GZ-2015	17 3/4"	Galvanized	20" x 15" x 5"
SS-2020	22 3/4"	Stainless Steel	20" x 20" x 5"
GZ-2020	22 3/4"	Galvanized	20" x 20" x 5"

## DELUXE AND BUDGET DRAWER ACCESSORIES

- Pad Lock Hasp ..... TA-13
- Drawer Lock ..... TA-14  
(Does not apply to Budget Drawers)
- Drawers Modified to  
15" L/R x 20" F/B\* ..... TA-50
- Drawer Adapter/Non Catalog Tables  
(specify table width) ..... TA-90

- Friction Slides
- Die Formed Handle



MODEL #	Width	Description	Inset
FS-2015	17 3/4"	Stainless Steel	20" x 15" x 5"
FG-2015	17 3/4"	Galvanized	20" x 15" x 5"
FS-2020	22 3/4"	Stainless Steel	20" x 20" x 5"
FG-2020	22 3/4"	Galvanized	20" x 20" x 5"

Item #: \_\_\_\_\_ Qty #: \_\_\_\_\_

Model #: \_\_\_\_\_

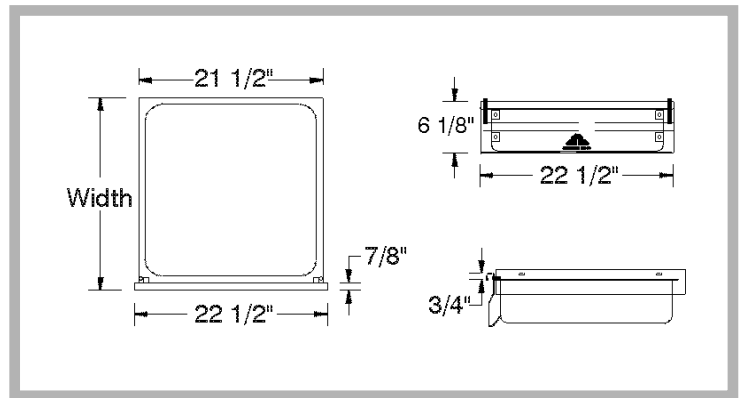
Project #: \_\_\_\_\_

## DELUXE SERIES DRAWERS

### DETAILS and SPECIFICATIONS

TOL ± .500"

ALL DIMENSIONS ARE TYPICAL

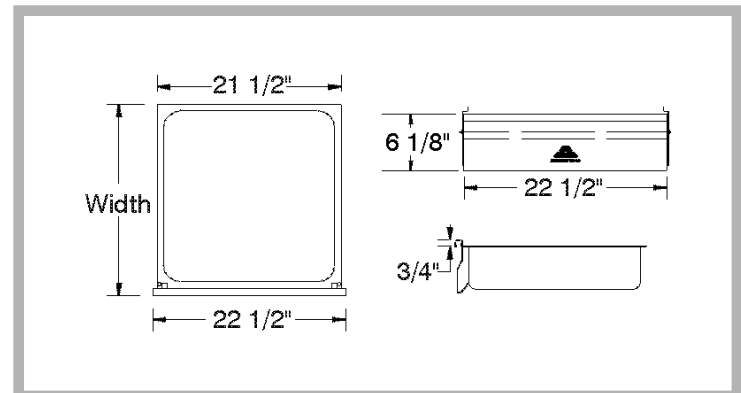


## BUDGET SERIES DRAWERS

### DETAILS and SPECIFICATIONS

TOL ± .500"

ALL DIMENSIONS ARE TYPICAL



Customer Service Available To Assist You **1-800-645-3166** 8:30 am - 8:00 pm E.S.T.

Email Orders To: [customer@advancetabco.com](mailto:customer@advancetabco.com). For Smart Fabrication™ Quotes, Email To: [smartfab@advancetabco.com](mailto:smartfab@advancetabco.com) or Fax To: 631-586-2933

**NEW YORK**  
Fax: (631) 242-6900

**GEORGIA**  
Fax: (770) 775-5625

**TEXAS**  
Fax: (972) 932-4795

**NEVADA**  
Fax: (775) 972-1578