



STAINLESS STEEL

WALL MOUNTED SPEC LINE FABRICATED SERVICE SINKS

Item #: _____ **Qty #:** _____
Model #: _____
Project #: _____



FS-WM-2219



FS-WM-2721

TUBULAR Wall Brackets

FEATURES:

Backsplash has tile edge for ease of installation.
 Sink bowls are 3/4" coved corner and meet NSF requirements.
 Rolled Rim Edge for additional strength.
 Sink Bowls are available in 10" & 12" depths.
 Stainless Steel "Z" Bracket Supplied.

CONSTRUCTION:

All TIG welded.
 Welded areas blended to match adjacent surfaces and to a satin finish.
 Gussets welded to a die-embossed reinforced plate.

MATERIAL:

Entire unit is 14 gauge 304 stainless steel.
 1-5/8" tubular stainless steel wall brackets.
 Stainless steel gussets.

MECHANICAL:

- Supply is 1/2" IPS hot & cold.
- Faucet holes on 8" centers.
- Faucets are not included (**see accessories**).
- Waste drains are 1 1/2" IPS S/S basket type, located in center of sink bowl, and are included.



K-240



K-101



K-121



K-175



7-PS-32



7-PS-39

Accessories	Model #	Qty
Service Faucet*	K-240	
8" Swing Spout Faucet	K-101	
Gooseneck Faucet	K-121	
Electronic Faucet	K-175	
Knee Valve Assembly	7-PS-32	
Foot Pedal Assembly	7-PS-39	
Faucet Hole Revision (Required for K-121 & K-175 Faucets)	K-472	

*Service Faucet (#K-240) is not lead free compliant.

**Standard Faucet conforms to NSF 61 Standard 9.
 Faucets Are AB1953 Lead Free Compliant.**

For Replacement Faucets & Upgrades, Drains & Accessories
 visit our website at www.advancetabco.com



Customer Service Available To Assist You 1-800-645-3166 8:30 am - 8:00 pm E.S.T.

Email Orders To: customer@advancetabco.com. For Smart Fabrication™ Quotes, Email To: smartfab@advancetabco.com or Fax To: 631-586-2933

NEW YORK
 Fax: (631) 242-6900

GEORGIA
 Fax: (770) 775-5625

TEXAS
 Fax: (972) 932-4795

NEVADA
 Fax: (775) 972-1578

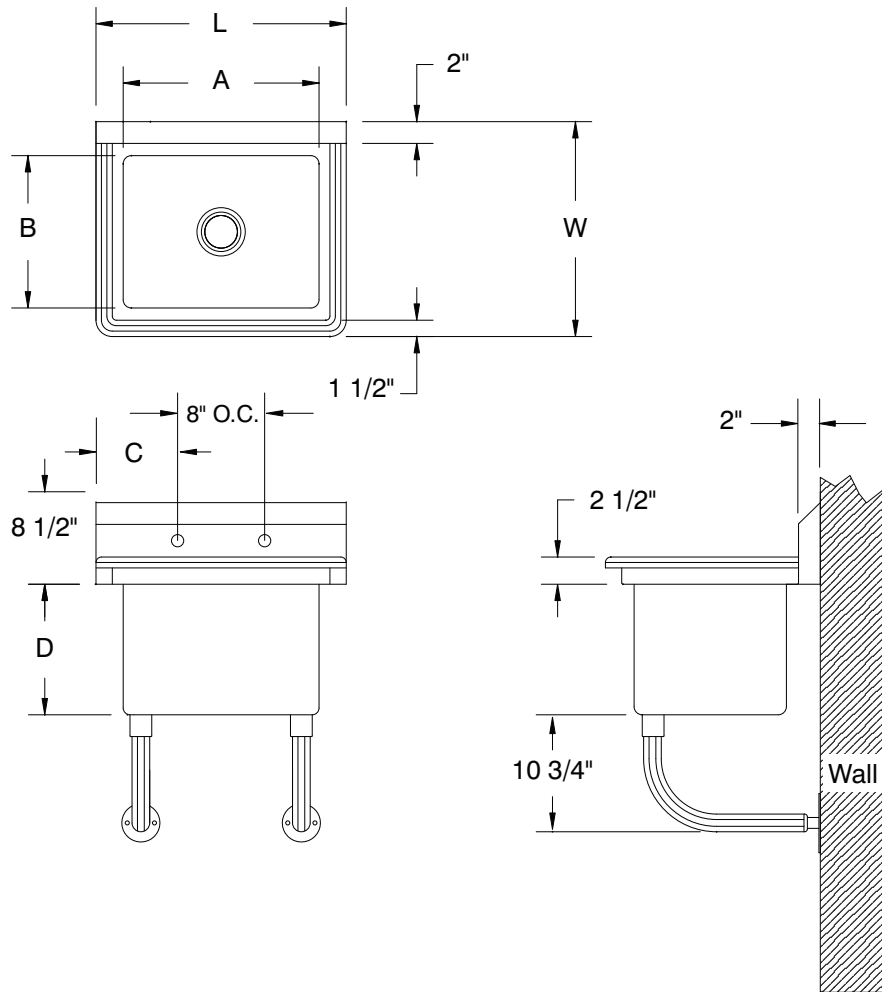
DIMENSIONS and SPECIFICATIONS

TOL ± .500"

FITTINGS SUPPLIED AS SHOWN

ALL DIMENSIONS ARE TYPICAL

FS-WM Series



MODEL #	Length L	Width W	Bowl Size A & B	Hole Distance C	Bowl Depth D	Wt	Cu.
FS-WM-2219	23"	19.5"	18" x 14"	7.5"	10"	52 lbs.	10
FS-WM-2721	27"	21.5"	22" x 16"	9.5"	12"	64 lbs.	13

