



STAINLESS STEEL ENCLOSED BASE CABINETS with DRAWERS

Features Fully Enclosed NSF Drawers



HDRC-307 Shown



SDRC-307 Shown



**FEATURING BOLT-ON
STAINLESS STEEL LEG**

FEATURES:

5" Backsplash is furnished with a 1 5/8" sanitary rolled rim on the front side and 1 5/8" square bend edges on the 2 sides and a 5" splash with a 1" return on the rear side.

Rear flush panel along the rear of the base unit.

CONSTRUCTION:

All TIG welded. Exposed areas finished to match adjacent surfaces.

Entire Top is mechanically polished to a satin finish and is sound deadened.

UNI-BODY DESIGN sides, back and fixed mid shelf (sold separately) are welded to form a single rigid structure.

Legs bolt on to table base.

MATERIAL:

TOP is 14 gauge stainless steel type "304" series with galvanized understructure.

BODY is 18 gauge stainless steel type "430" series.

LEGS are stainless steel and include 1 1/2" adjustable hex foot.

Item #: _____ Qty #: _____
 Model #: _____
 Project #: _____

HINGED DOOR CABINET

MODEL #	LENGTH	# of Drawers	# of Doors	Wt.
HDRC-305	60"	2	2	350 Lbs.
HDRC-306	72"	2	4	380 Lbs.
HDRC-307	84"	3	4	450 Lbs.
HDRC-308	96"	3	4	515 Lbs.
HDRC-3010	120"	4	4	650 Lbs.

SLIDING DOOR CABINET

MODEL #	LENGTH	# of Drawers	# of Doors	Wt.
SDRC-305	60"	2	2	350 Lbs.
SDRC-306	72"	2	4	380 Lbs.
SDRC-307	84"	3	4	450 Lbs.
SDRC-308	96"	3	4	515 Lbs.
SDRC-3010	120"	4	4	650 Lbs.

ACCESSORIES

Model #	Description	Qty.
TA-105	Mod. to 24" Width	
TA-110	Mod. to 36" Width	
TA-14	Drawer Lock	
TA-46	Door Locks	



Customer Service Available To Assist You 1-800-645-3166 8:30 am - 8:00 pm E.S.T.

For Orders & Customer Service:

Email: customer@advancetabco.com or Fax: 631-242-6900

For Smart Fabrication™ Quotes:

Email: smartfab@advancetabco.com or Fax: 631-586-2933

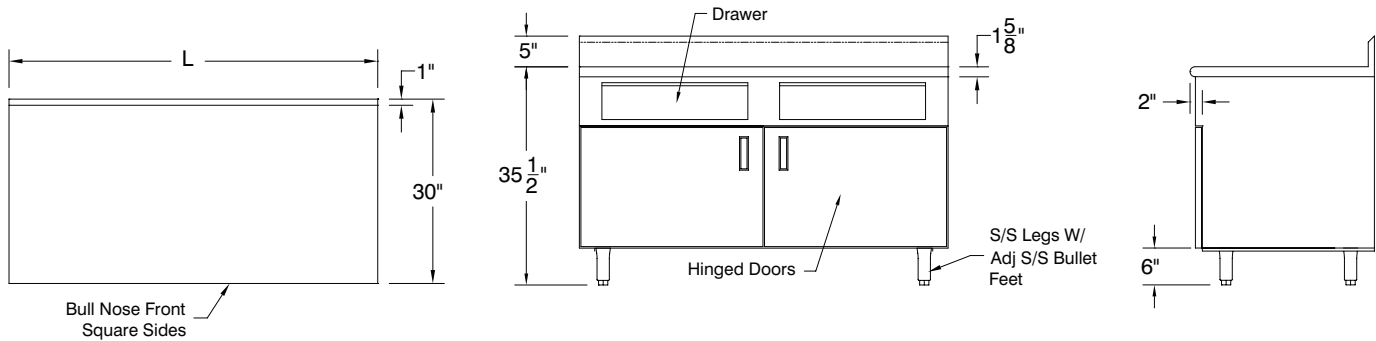
DETAILS and SPECIFICATIONS

TOL ± .500"

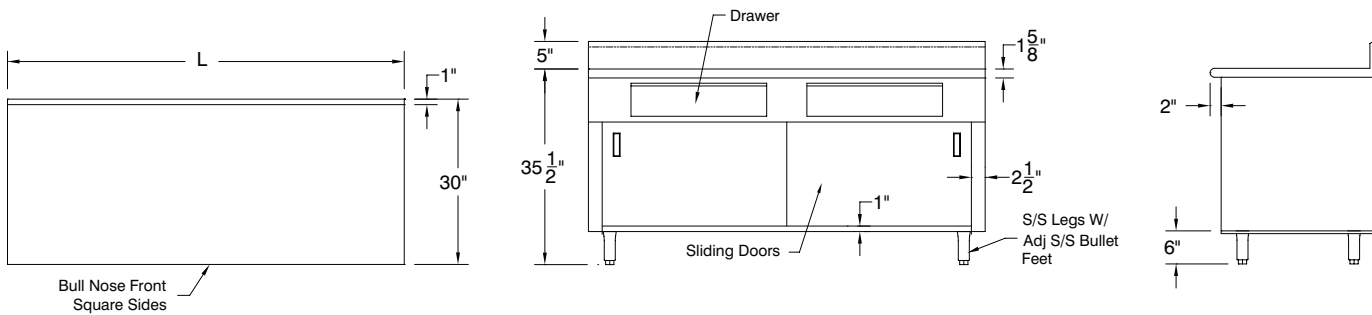
Units 7' and larger are furnished with 6 legs.

ALL DIMENSIONS ARE TYPICAL

HDRC Series



SDRC Series



OPTIONAL ENCLOSED BASE ACCESSORIES



TA-255P

- ___ TA-20L Replacement Bolt-on Leg
- ___ TA-19L Replacement Bolt-on Leg
With Flanged Bullet Foot
- ___ TA-255P 5" Heavy Duty Polyurethane Casters
(set of 4 - 2 w/ Brakes)
- ___ TA-255AP.... 5" Heavy Duty Polyurethane Casters
(set of 6 - 2 w/ Brakes)
- ___ TA-46 Door Locks
- ___ TA-54 Removable Kick Plate



TA-20L

