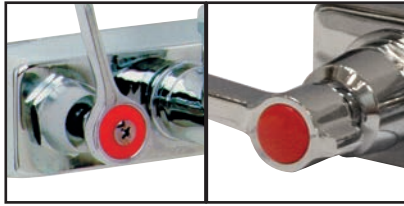


FAUCET PARTS - EXPLODED VIEW

For Models: K-1, K-11, K-101

How To Identify Faucet Style



OLD STYLE
See Page 2.

NEW STYLE

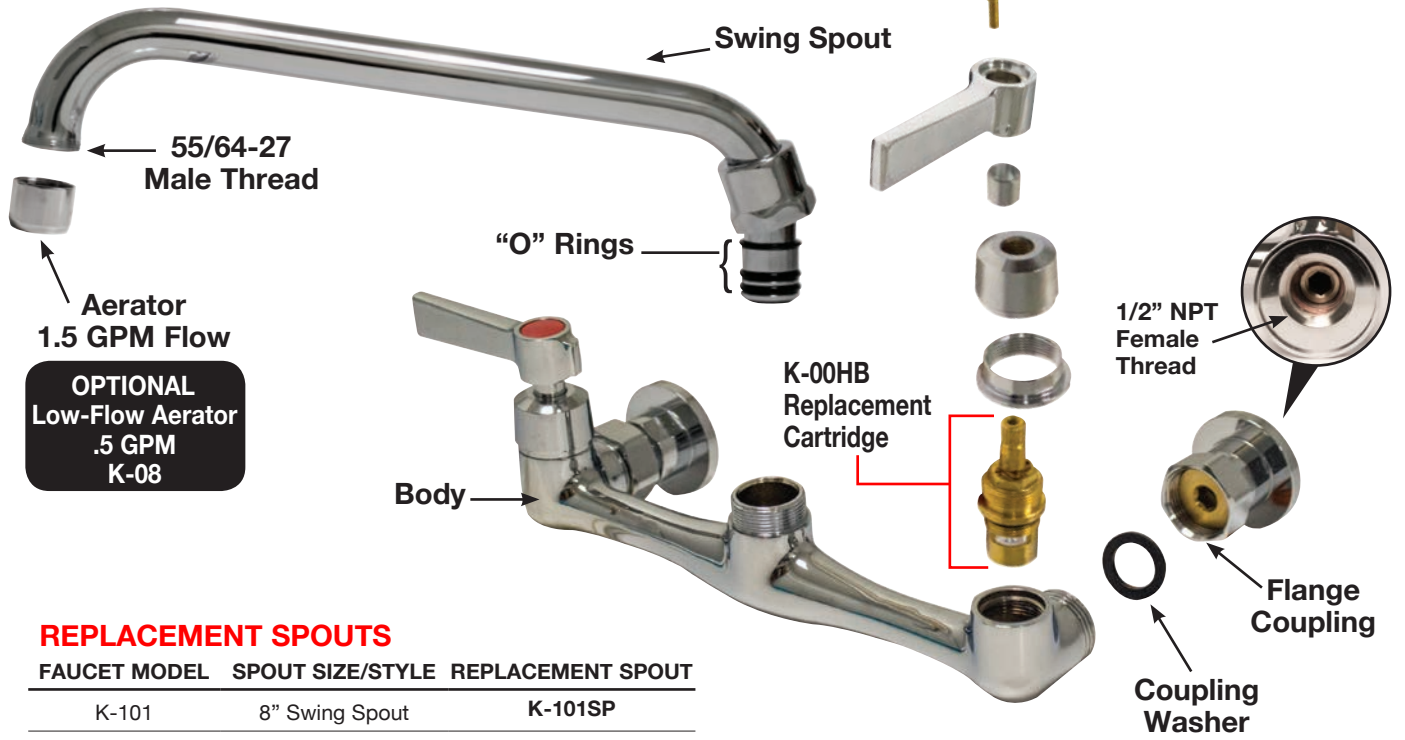
4" Wrist Handles Available

K-316-LUHA



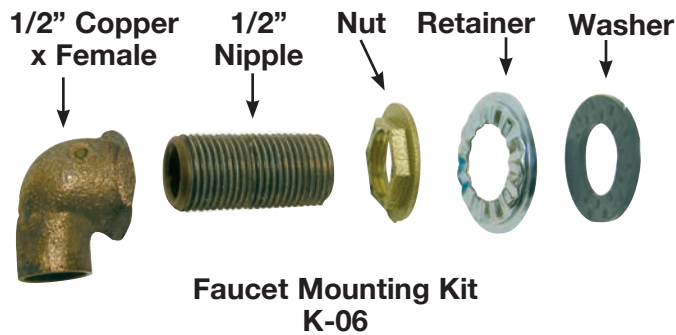
To Remove Hot/Cold Index

Insert Paper Clip Into Hole



REPLACEMENT SPOUTS

FAUCET MODEL	SPOUT SIZE/STYLE	REPLACEMENT SPOUT
K-101	8" Swing Spout	K-101SP
K-1	12" Swing Spout	K-1SP
K-11	14" Swing Spout	K-11SP



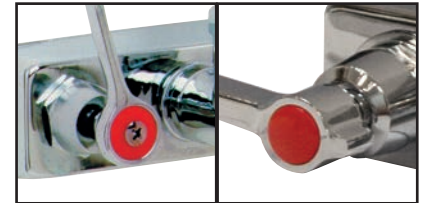
FAUCET CONFORMS TO ANSI/NSF STANDARD 61 SECTION 9



FAUCET PARTS - EXPLODED VIEW

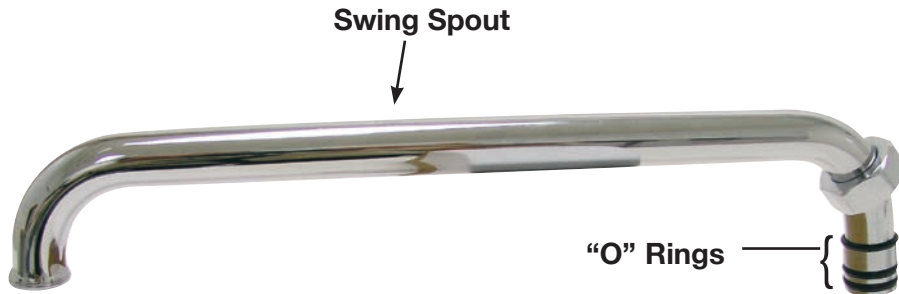
For Models: K-1, K-11, K-101 *(Discontinued Style as of January 2016)*

How To Identify Faucet Style



OLD STYLE

NEW STYLE
See Page 1.



Swing Spout

"O" Rings



Aerator
2 GPM Flow



4" Wrist Handles Available
K-316-LU



K-00 Replacement Kit

1/2" NPT Female Thread

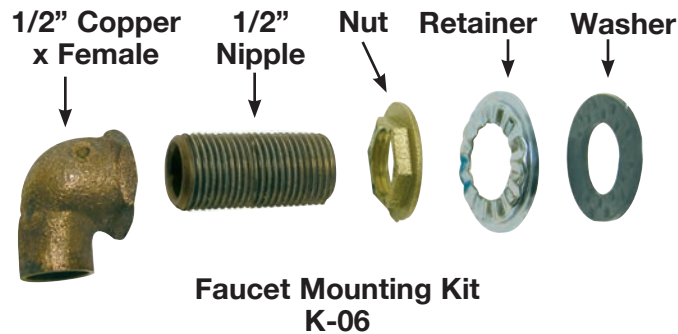
Coupling Washer

Flange Coupling

Body

REPLACEMENT SPOUTS

FAUCET MODEL	SPOUT SIZE/STYLE	REPLACEMENT SPOUT
K-101	8" Swing Spout	K-101SP
K-1	12" Swing Spout	K-1SP
K-11	14" Swing Spout	K-11SP



Faucet Mounting Kit K-06



FAUCET CONFORMS TO ANSI/NSF STANDARD 61 SECTION 9



Customer Service Available To Assist You 1-800-645-3166 8:30 am - 8:00 pm E.S.T.

For Orders & Customer Service:

Email: customer@advancetabco.com or Fax: 631-242-6900

For Smart Fabrication™ Quotes:

Email: smartfab@advancetabco.com or Fax: 631-586-2933