



STAINLESS STEEL
DROP-IN SINKS
ONE COMPARTMENT
NO DRIP SELF-RIMMED EDGE

Item #: _____ Qty #: _____
 Model #: _____
 Project #: _____

MODEL#	COMP	OVERALL LxW	BOWL SIZE LxW	DEPTH
DI-1-1515	1	15" x 15"	12-1/4" x 10-1/4"	5-1/2"

Length is Left to Right. Width is Front to Back

FEATURES:

One piece seamless **Deep Drawn** stainless steel bowl.
 Self rimming design & bowl is sound deadened.
 Raised, No Drip Self-Rim Edge. Mounting clips provided and accommodate counters up to 2" thick. (Quantity supplied varies based on drop in sink ordered).

MATERIALS:

Stainless Steel Type 304, 20 Gauge.
 Stainless Steel drain with strainer Plate - 1 1/2 IPS.

DESIGN:

Unit punched with 1-3/8" dia. faucet holes.



STANDARD MOUNTING CLIPS
 Accomodates Countertops up to 2"
 Replacement # K-28 (Per Sink)

Available Faucets & Accessories	Model #	Qty
Deck Mounted 3 1/2" Gooseneck. 4" O.C.	K-52	
Deck Mounted 8 1/2" Gooseneck. 4" O.C.	K-55	
Deck Mtd. X.H.D. 3 1/2" Gooseneck. 4" O.C.	K-62	

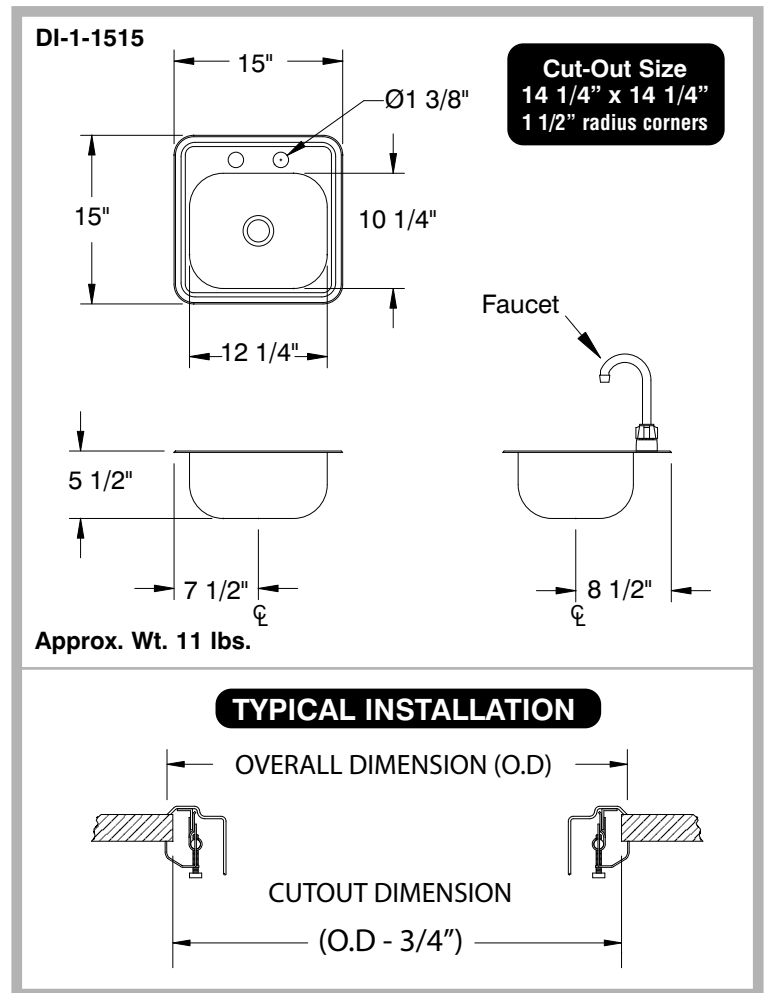
Standard Faucet conforms to NSF 61 Standard 9. An optional faucet upgrade is required for compliance to AB 1953 Standards.

For Replacement Faucets & Upgrades, Drains & Accessories visit our website at www.advancetabco.com

DIMENSIONS and SPECIFICATIONS

TOL ± .125"

ALL DIMENSIONS ARE TYPICAL



Cut-Out Size = L to R x F to B



Customer Service Available To Assist You **1-800-645-3166** 8:30 am - 8:00 pm E.S.T.

Email Orders To: customer@advancetabco.com. For Smart Fabrication™ Quotes, Email To: smartfab@advancetabco.com or Fax To: 631-586-2933

NEW YORK
 Fax: (631) 242-6900

GEORGIA
 Fax: (770) 775-5625

TEXAS
 Fax: (972) 932-4795

NEVADA
 Fax: (775) 972-1578