



# STAINLESS STEEL TABLE WITH SINK

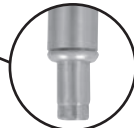
Item #: \_\_\_\_\_ Qty #: \_\_\_\_\_

Model #: \_\_\_\_\_

Project #: \_\_\_\_\_



Rolled Rim Edge on  
Front & Square  
Edges on Side & Back



Bullet Feet



*Featuring as Standard:*  
**“THE PROVEN”**  
ORIGINAL ADVANCE TABCO  
**Adjustable Undershelf  
with Die Cast Leg Clamp**

**KMS-11B-305R Shown**

## FEATURES:

Top is furnished with 1 5/8" sanitary rolled rim edge on front and square sides, and a 5" splash with a 1" return on the rear side.

THREE hat channels stud welded to reinforce and maintain a level working surface.

Pre-engineered welded angle adapters insure ease of future drawer installation.

Aluminum die cast "leg-to-shelf" clamp secures shelf to leg eliminating unsightly nuts and bolts. Undershelf is adjustable.

Stainless steel 16" x 20" x 12" deep drawn sink bowl integrally welded to top.

K-50 Deck Mounted Faucet included.

## CONSTRUCTION:

All TIG welded. Exposed weld areas polished to match adjacent surfaces.

Entire top mechanically polished to a satin finish.

Top is sound deadened.

Roll formed embossed galvanized hat channels are secured to top by means of structural adhesive and weld studs.

Gussets welded to support hat channels.

## MATERIAL:

TOP is 16 gauge stainless steel type "304" series.

SHELF is 18 gauge stainless steel type "430" series.

LEGS are 1 5/8" diameter, tubular stainless steel with stainless steel gussets and 1" adjustable stainless steel bullet feet.

Model #	Length	Weight
KMS-11B-305L	30"X60"	140 lbs.
KMS-11B-305R	30"X60"	140 lbs.
KMS-11B-306L	30"X72"	165 lbs.
KMS-11B-306R	30"X72"	165 lbs.

**Choose Left or Right Sink Position**



**Customer Service Available To Assist You 1-800-645-3166 8:30 am - 8:00 pm E.S.T.**

For Orders & Customer Service:

Email: customer@advancetabco.com or Fax: 631-242-6900

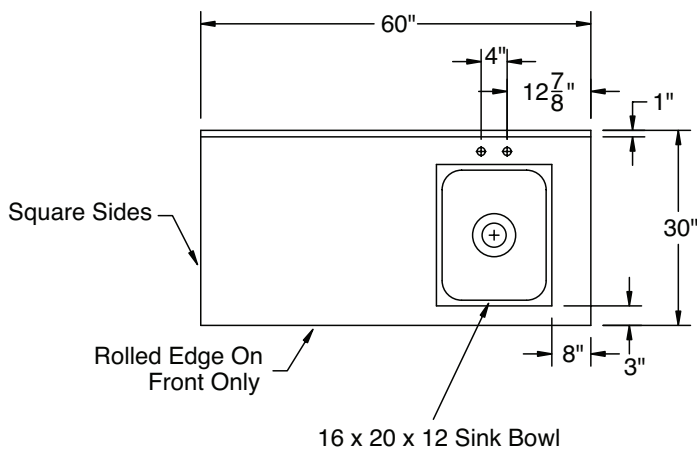
For Smart Fabrication™ Quotes:

Email: smartfab@advancetabco.com or Fax: 631-586-2933

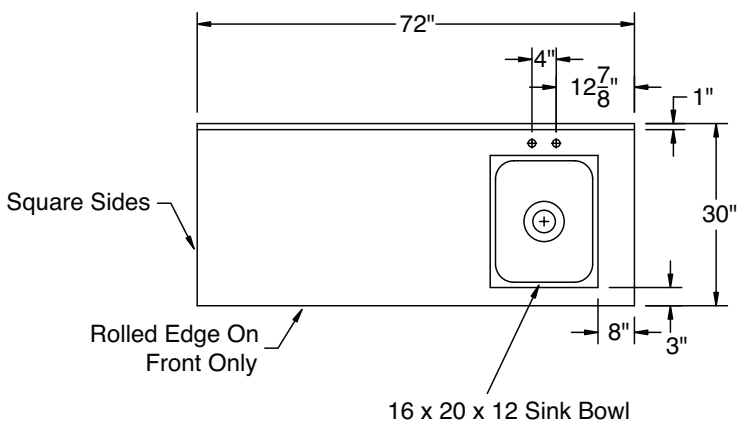
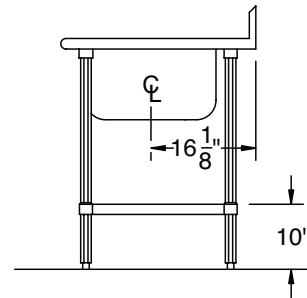
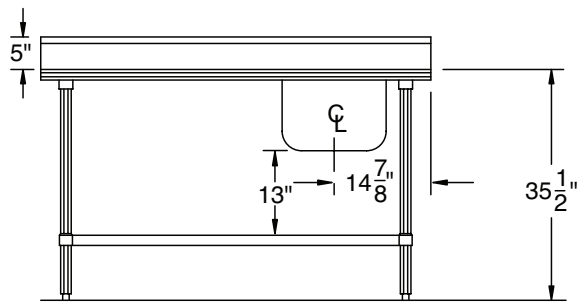
# DETAILS and SPECIFICATIONS

TOL ± .500"

ALL DIMENSIONS ARE TYPICAL



KMS-11B-305R SHOWN



KMS-11B-306R SHOWN

