



# ALUMINUM OVAL TRAY RACK

**Item #:** \_\_\_\_\_ **Qty #:** \_\_\_\_\_  
**Model #:** \_\_\_\_\_  
**Project #:** \_\_\_\_\_



MODEL #	Pan Capacity	A Shelf Spacing	Overall Size L x W x H	Wt.
OT10-6	10	6"	26" x 28" x 69 1/4"	68 lbs.
OT20-3	20	3"	26" x 28" x 69 1/4"	102 lbs.

**FEATURES:**

- Curved top with 4" wide angles.
- 5" heavy duty stem bolted casters.
- OT10-6 has 6" spacing and 10 pan capacity
- OT20-3 has 3" spacing and 20 pan capacity.

**CONSTRUCTION:**

Fully welded 1 1/4" square tubing ladder assembly.

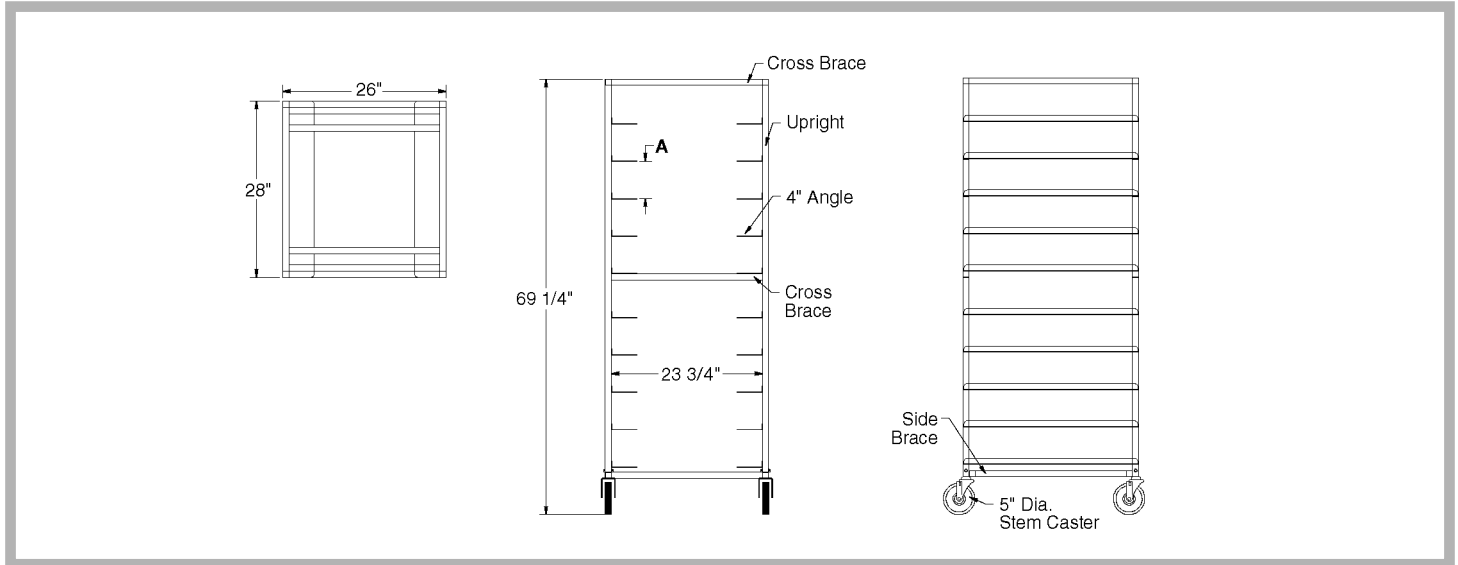
**MATERIAL:**

6063-T52 extruded aluminum angles, upright tubing, and support pieces.

## DIMENSIONS and SPECIFICATIONS

TOL ± .500"

ALL DIMENSIONS ARE TYPICAL



**Customer Service Available To Assist You 1-800-645-3166 8:30 am - 8:00 pm E.S.T.**

Email Orders To: [customer@advancetabco.com](mailto:customer@advancetabco.com). For Smart Fabrication™ Quotes, Email To: [smartfab@advancetabco.com](mailto:smartfab@advancetabco.com) or Fax To: 631-586-2933

**NEW YORK**  
Fax: (631) 242-6900

**GEORGIA**  
Fax: (770) 775-5625

**TEXAS**  
Fax: (972) 932-4795

**NEVADA**  
Fax: (775) 972-1578