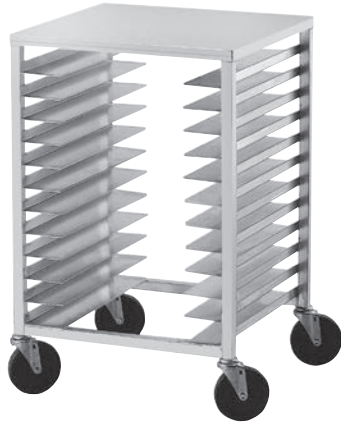
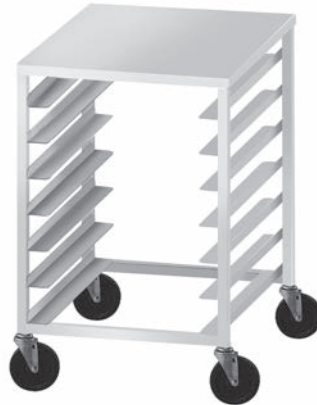




Item #:	_____	Qty #:	_____
Model #:	_____		
Project #:	_____		



**Pizza Pan Rack
PZ12**



**Pizza Dough Box Rack
PDB7**



**Half Size Rack
PR10-3WT**

FEATURES:

Pizza Pan Rack

2" shelf spacing, 12 pan capacity, 5" poly stem bolted casters, 4" wide slides.

Pizza Dough Box Rack

3 3/4" shelf spacing, 7 box capacity, 5" poly stem bolted casters, 2" ribbed angles.

Half Size Rack

3" shelf spacing, 10 pan capacity, 5" poly stem bolted casters, 1 1/2" ribbed angles.

CONSTRUCTION:

Fully welded, ready for use.

MATERIAL:

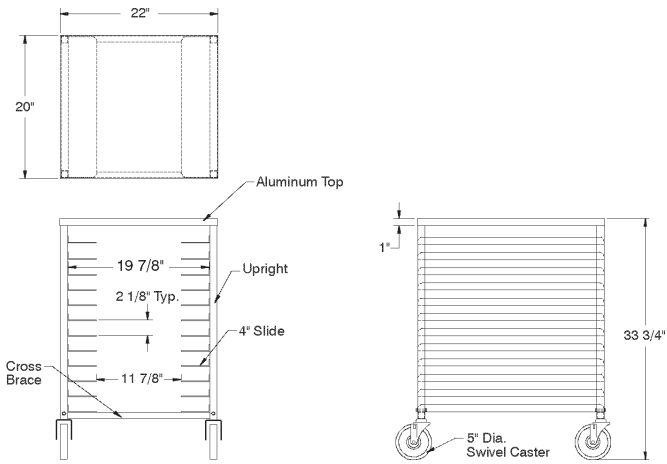
6063-T52 extruded aluminum angles, upright tubing, and support pieces.

Model #	Top	Description	Capacity	Shelf Spacing	Overall Size	Approx. Wt.
PZ12	Aluminum Top	Front Load	12 Full Size	2"	22" x 20 x 33 3/4"	52 lbs.
PDB7	Aluminum Top	Front Load	7 Boxes	3 3/4"	22" x 20 x 33 3/4"	33 lbs.
PR10-3WT	Aluminum Top	Front Load	10 Full/20 Half Size Pans	3"	20 1/4" x 26" x 38 1/2"	30 lbs.
PR10-3PT	Poly Top	Front Load	10 Full/20 Half Size Pans	3"	20 1/4" x 26" x 39"	45 lbs.
PR10-3ST	Stainless Steel Top	Front Load	10 Full/20 Half Size Pans	3"	20 1/4" x 26" x 39"	35 lbs.

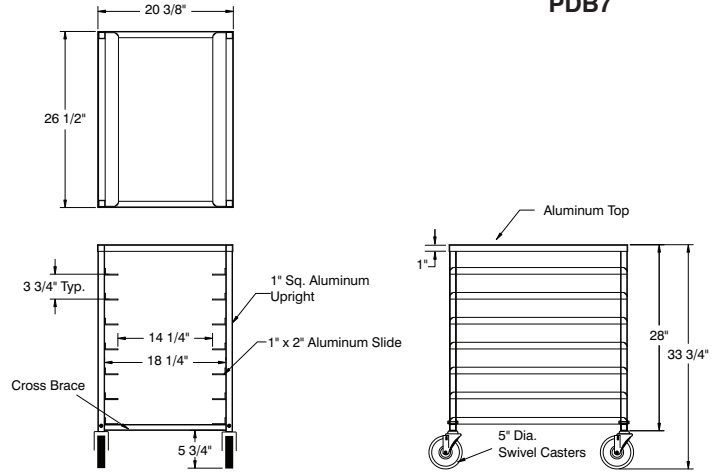
DIMENSIONS and SPECIFICATIONS

TOL ± .500" ALL DIMENSIONS ARE TYPICAL

PZ12



PDB7



PR10 SERIES

