



Item #: \_\_\_\_\_ Qty #: \_\_\_\_\_  
 Model #: \_\_\_\_\_  
 Project #: \_\_\_\_\_



**PLD-2524**



**Optional Locking Cover**  
Available - Includes  
Padlock & 2 Keys

**FEATURES:**

- Five tiered steps to display liquor bottles.
- Steel straps secure bottles on steps.
- Sound deadened.
- 7" backsplash.
- Stainless steel top, sides and legs with adjustable plastic bullet feet.
- Twist-action leg assembly.
- Optional stainless steel cover includes padlock and two keys.
- PLD-30 Series** has rear deck for extra storage

**MATERIAL:**

- 20 gauge, 300 stainless steel
- Sides:** 14 gauge, 300 stainless steel
- Legs:** 1 5/8" O.D. 18 gauge, 300 stainless steel with 1" adjustable plastic bullet feet

**OPTIONAL:**

- All Optional Stainless Steel Covers Include Padlock & Two Keys
- PRLC-2512** - 25" x 12" stainless steel cover
  - PRLC-2518** - 25" x 18" stainless steel cover
  - PRLC-2524** - 25" x 24" stainless steel cover
  - PRLC-2530** - 25" x 18" stainless steel cover
  - PRLC-2536** - 25" x 24" stainless steel cover
  - PRLC-3012** - 30" x 12" stainless steel cover
  - PRLC-3018** - 30" x 18" stainless steel cover
  - PRLC-3024** - 30" x 24" stainless steel cover
  - PRLC-3030** - 30" x 18" stainless steel cover
  - PRLC-3036** - 30" x 24" stainless steel cover

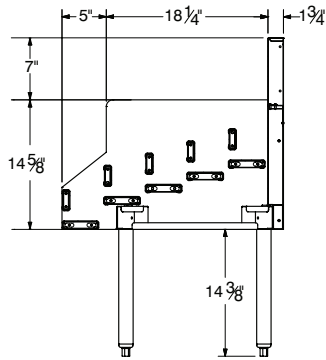
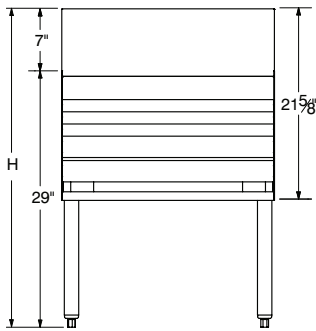
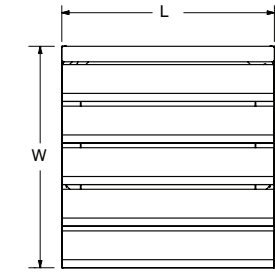
25" WIDE				30" WIDE				
Model #	Size W x L x H	Approx. Weight	Approx. Cu. Ft.	Model #	Size W x L x H	Approx. Weight	Approx. Cu. Ft.	Approx. Bottle Capacity
PLD-2512	25" x 12" x 36"	25 lbs.	10	PLD-3012	30" x 12" x 36"	30 lbs.	12	15
PLD-2518	25" x 18" x 36"	30 lbs.	10	PLD-3018	30" x 18" x 36"	35 lbs.	12	20
PLD-2524	25" x 24" x 36"	35 lbs.	10	PLD-3024	30" x 24" x 36"	40 lbs.	12	30
PLD-2530	25" x 30" x 36"	40 lbs.	14	PLD-3030	30" x 30" x 36"	45 lbs.	17	35
PLD-2536	25" x 36" x 36"	50 lbs.	14	PLD-3036	30" x 36" x 36"	55 lbs.	17	45

# DIMENSIONS and SPECIFICATIONS

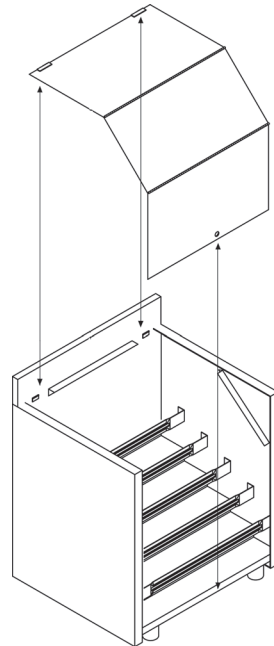
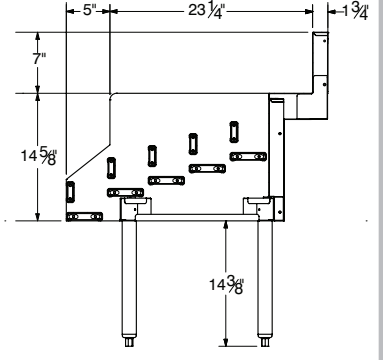
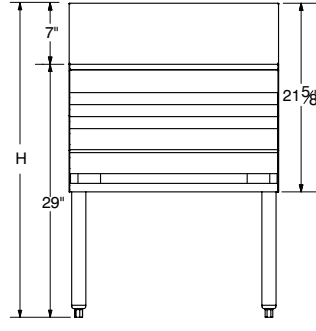
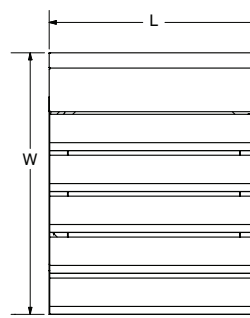
TOL Overall: ± .500" Interior: ± .250"

ALL DIMENSIONS ARE TYPICAL

## PLD-25 Series



## PLD-30 Series



View Of Optional  
**LOCKING COVER**

