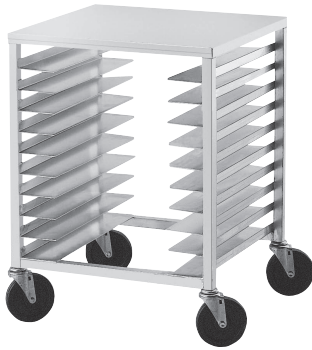


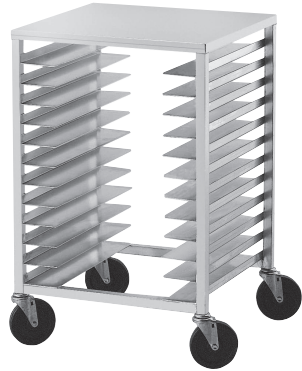


PIZZA PAN AND DOUGH BOX RACKS

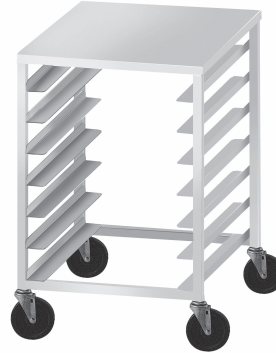
| | | | |
|------------|-------|--------|-------|
| Item #: | _____ | Qty #: | _____ |
| Model #: | _____ | | |
| Project #: | _____ | | |



**Half Size Rack
PR10-3WT**



**Pizza Pan Rack
PZ12**



**Pizza Dough Box Rack
PDB7**



**Pizza Dough Box Rack
PDB14**

FEATURES:

PZ12 - Pizza Pan Rack

2" shelf spacing, 12 pan capacity, 5" poly stem bolted casters, 4" wide slides.

PDB7 - Pizza Dough Box Rack

3 3/4" shelf spacing, 7 box capacity, 5" poly stem bolted casters, 2" slides.

PDB14 - Pizza Dough Box Rack

3 3/4" shelf spacing, 14 pan capacity, 4" plate casters, 2" slides. NO TOP.

Half Size Racks

3" shelf spacing, 10 pan capacity, 5" poly stem bolted casters, 1 1/2" ribbed angles

CONSTRUCTION:

Fully welded, ready for use.

MATERIAL:

6063-T52 extruded aluminum angles, upright tubing, and support pieces.

PIZZA PAN & DOUGH BOX RACKS

| Model # | Top | Description | Capacity | Shelf Spacing | Overall Size W x L x H | Approx. Wt. |
|---------|--------------|-------------|-------------------------|---------------|---------------------------|----------------|
| PZ12 | Aluminum Top | Front Load | 12 Round or Square Pans | 2" | 22" x 20 x 33 3/4" | 52 lbs. |
| PDB7 | Aluminum Top | Front Load | 7 Boxes | 3 3/4" | 26" x 20 1/4" x 33 3/4" | 27 lbs. |
| PDB14 | No Top | Front Load | 14 Boxes | 3 3/4" | 26" x 20 1/4" x 61 1/2" | 63 lbs. |

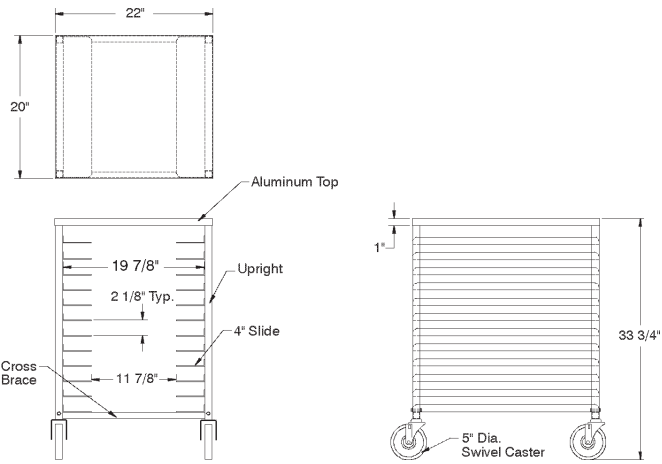
HALF SIZE RACKS

| Model # | Top | Description | Capacity | Shelf Spacing | Overall Size W x L x H | Approx. Wt. |
|----------|---------------------|-------------|---------------------------|---------------|---------------------------|----------------|
| PR10-3WT | Aluminum Top | Front Load | 10 Full/20 Half Size Pans | 3" | 20 1/4" x 26" x 38 1/2" | 30 lbs. |
| PR10-3PT | Poly Top | Front Load | 10 Full/20 Half Size Pans | 3" | 20 1/4" x 26" x 39" | 45 lbs. |
| PR10-3ST | Stainless Steel Top | Front Load | 10 Full/20 Half Size Pans | 3" | 20 1/4" x 26" x 39" | 35 lbs. |

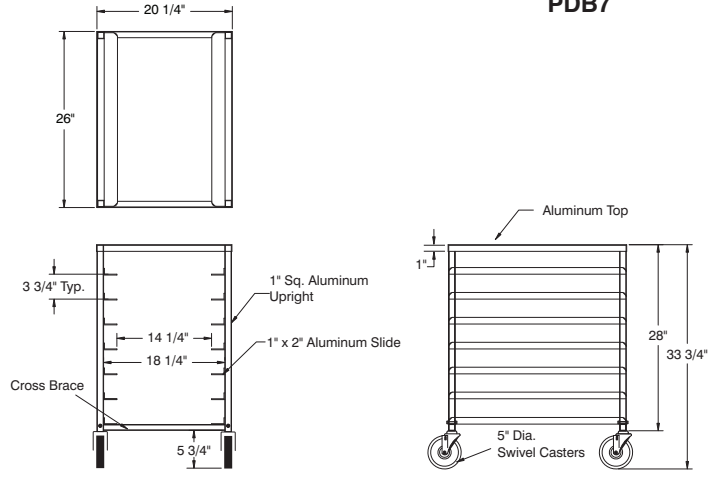
DIMENSIONS and SPECIFICATIONS

TOL ± .50" ALL DIMENSIONS ARE TYPICAL

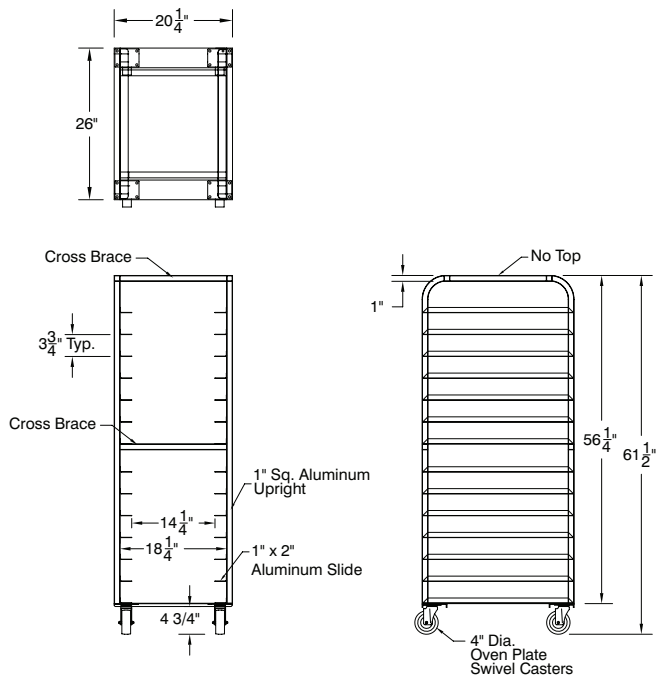
PZ12



PDB7



PDB14 SERIES



PR10 SERIES

