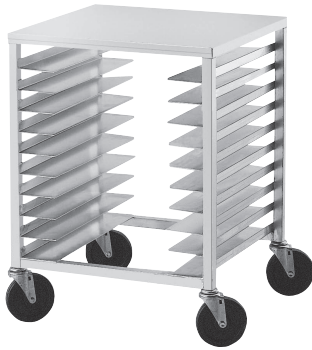


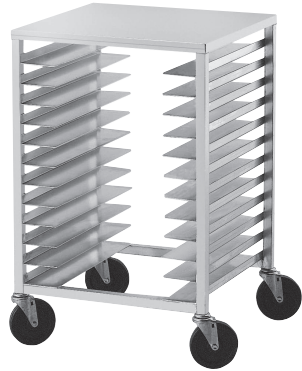


# PIZZA PAN AND DOUGH BOX RACKS

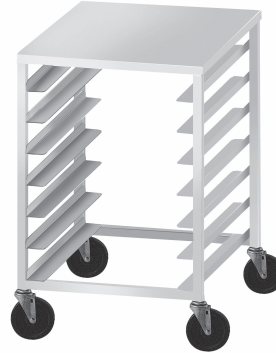
|            |       |        |       |
|------------|-------|--------|-------|
| Item #:    | _____ | Qty #: | _____ |
| Model #:   | _____ |        |       |
| Project #: | _____ |        |       |



**Half Size Rack  
PR10-3WT**



**Pizza Pan Rack  
PZ12**



**Pizza Dough Box Rack  
PDB7**



**Pizza Dough Box Rack  
PDB14**

**FEATURES:**

**PZ12 - Pizza Pan Rack**

2" shelf spacing, 12 pan capacity, 5" poly stem bolted casters, 4" wide slides.

**PDB7 - Pizza Dough Box Rack**

3 3/4" shelf spacing, 7 box capacity, 5" poly stem bolted casters, 2" slides.

**PDB14 - Pizza Dough Box Rack**

3 3/4" shelf spacing, 14 pan capacity, 4" plate casters, 2" slides. NO TOP.

**Half Size Racks**

3" shelf spacing, 10 pan capacity, 5" poly stem bolted casters, 1 1/2" ribbed angles

**CONSTRUCTION:**

Fully welded, ready for use.

**MATERIAL:**

6063-T52 extruded aluminum angles, upright tubing, and support pieces.

**PIZZA PAN & DOUGH BOX RACKS**

| Model # | Top          | Description | Capacity                | Shelf Spacing | Overall Size<br>W x L x H | Approx.<br>Wt. |
|---------|--------------|-------------|-------------------------|---------------|---------------------------|----------------|
| PZ12    | Aluminum Top | Front Load  | 12 Round or Square Pans | 2"            | 22" x 20 x 33 3/4"        | 52 lbs.        |
| PDB7    | Aluminum Top | Front Load  | 7 Boxes                 | 3 3/4"        | 26" x 20 1/4" x 33 3/4"   | 27 lbs.        |
| PDB14   | No Top       | Front Load  | 14 Boxes                | 3 3/4"        | 26" x 20 1/4" x 61 1/2"   | 63 lbs.        |

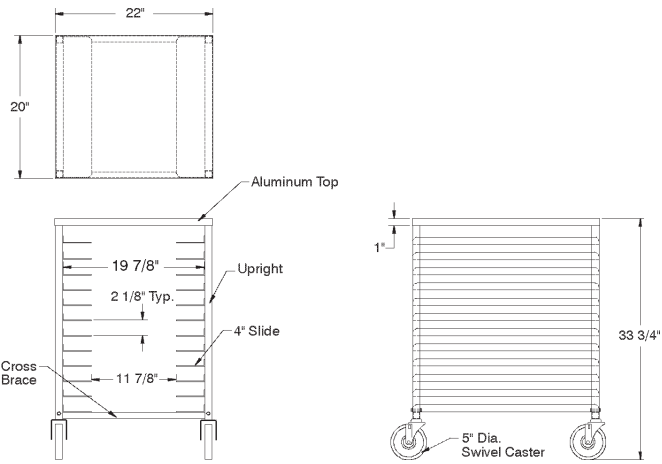
**HALF SIZE RACKS**

| Model #  | Top                 | Description | Capacity                  | Shelf Spacing | Overall Size<br>W x L x H | Approx.<br>Wt. |
|----------|---------------------|-------------|---------------------------|---------------|---------------------------|----------------|
| PR10-3WT | Aluminum Top        | Front Load  | 10 Full/20 Half Size Pans | 3"            | 20 1/4" x 26" x 38 1/2"   | 30 lbs.        |
| PR10-3PT | Poly Top            | Front Load  | 10 Full/20 Half Size Pans | 3"            | 20 1/4" x 26" x 39"       | 45 lbs.        |
| PR10-3ST | Stainless Steel Top | Front Load  | 10 Full/20 Half Size Pans | 3"            | 20 1/4" x 26" x 39"       | 35 lbs.        |

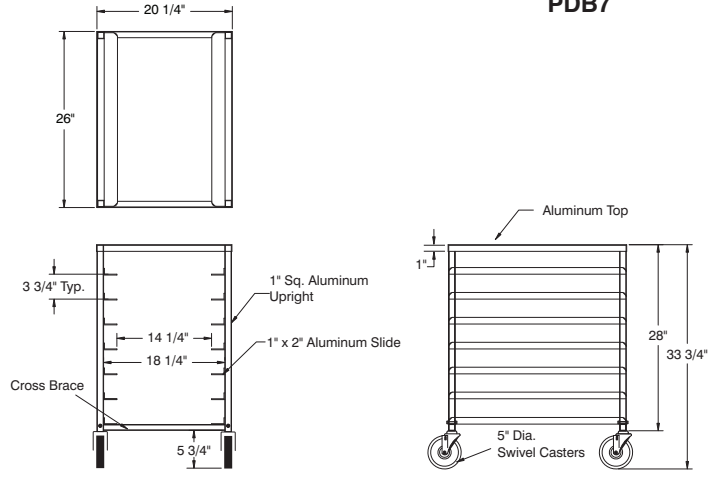
# DIMENSIONS and SPECIFICATIONS

TOL ± .50" ALL DIMENSIONS ARE TYPICAL

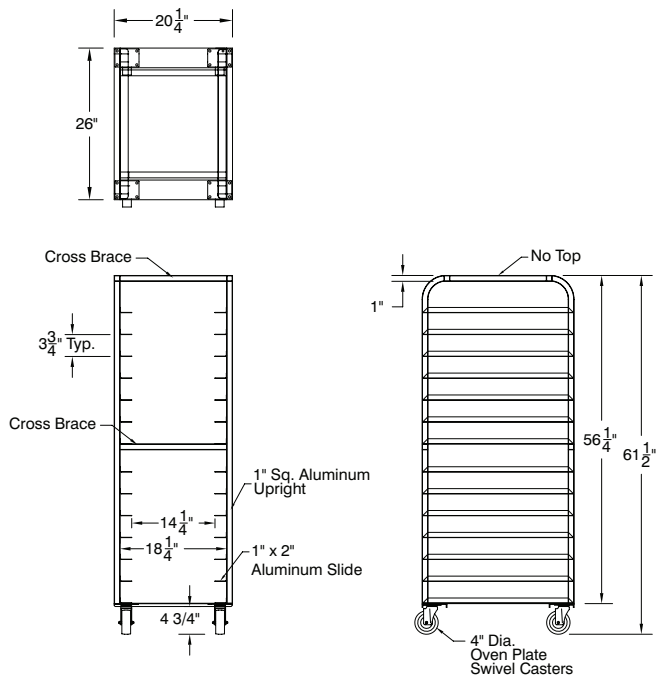
**PZ12**



**PDB7**



**PDB14 SERIES**



**PR10 SERIES**

