



TABLE MOUNTED
STAINLESS STEEL SHELVING
 with Adjustable Chrome Posts



(Table Not Included)

Item #: _____ **Qty #:** _____
Model #: _____
Project #: _____



TS & DS SERIES includes
 Tapered Split Sleeve Installation



TS SERIES
 14" Adjustable Chrome Posts

SINGLE DECK

L	10" Wide	Wt	12" Wide	Wt
36"	TS-10-36	14 lbs	TS-12-36	16 lbs.
48"	TS-10-48	16 lbs	TS-12-48	18 lbs.
60"	TS-10-60	18 lbs	TS-12-60	20 lbs.
72"	TS-10-72	21 lbs	TS-12-72	22 lbs.
84"	TS-10-84	24 lbs	TS-12-84	26 lbs.
96"	TS-10-96	29 lbs	TS-12-96	33 lbs.
108"	TS-10-108	33 lbs	TS-12-108	37 lbs.
120"	TS-10-120	39 lbs	TS-12-120	41 lbs.
132"	TS-10-132	42 lbs	TS-12-132	45 lbs.
144"	TS-10-144	47 lbs	TS-12-144	51 lbs.

Units 8 ft. and larger are furnished with three (3) sets of tubing supports.

For 1" Rear Turn Up, add "R" after model #
 (Example: TS-12-60R)



DS SERIES
 30" Adjustable Chrome Posts

DOUBLE DECK

L	10" Wide	Wt	12" Wide	Wt
36"	DS-10-36	25 lbs.	DS-12-36	28 lbs.
48"	DS-10-48	30 lbs.	DS-12-48	33 lbs.
60"	DS-10-60	36 lbs.	DS-12-60	39 lbs.
72"	DS-10-72	41 lbs.	DS-12-72	44 lbs.
84"	DS-10-84	47 lbs.	DS-12-84	50 lbs.
96"	DS-10-96	55 lbs.	DS-12-96	59 lbs.
108"	DS-10-108	59 lbs.	DS-12-108	64 lbs.
120"	DS-10-120	65 lbs.	DS-12-120	70 lbs.
132"	DS-10-132	71 lbs.	DS-12-132	76 lbs.
144"	DS-10-144	76 lbs.	DS-12-144	82 lbs.

Units 8 ft. and larger are furnished with three (3) sets of tubing supports.

For 1" Rear Turn Up, add "R" after model #
 (Example: DS-12-60R)

FEATURES:

- Fully adjustable stainless steel shelving.
- Includes four 14" or 30" high Chrome Posts.
- Includes 4 Plastic Tapered Split Sleeve Mounting Brackets.
- Shelves have front & rear rolled edges and sides have square edges.

CONSTRUCTION:

- All TIG welded.
- Exposed surfaces polished to a satin finish.

MATERIAL:

All Shelves are 18 gauge type "430" stainless steel.



Customer Service Available To Assist You **1-800-645-3166** 8:30 am - 8:00 pm E.S.T.

Email Orders To: customer@advancetabco.com. For Smart Fabrication™ Quotes, Email To: smartfab@advancetabco.com or Fax To: 631-586-2933

NEW YORK
 Fax: (631) 242-6900

GEORGIA
 Fax: (770) 775-5625

TEXAS
 Fax: (972) 932-4795

NEVADA
 Fax: (775) 972-1578

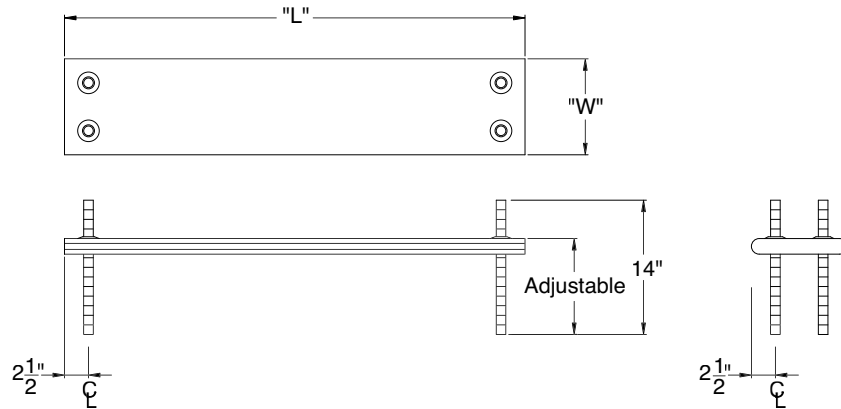
DETAILS and SPECIFICATIONS

TOL ± .500"

ALL DIMENSIONS ARE TYPICAL

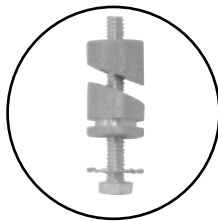
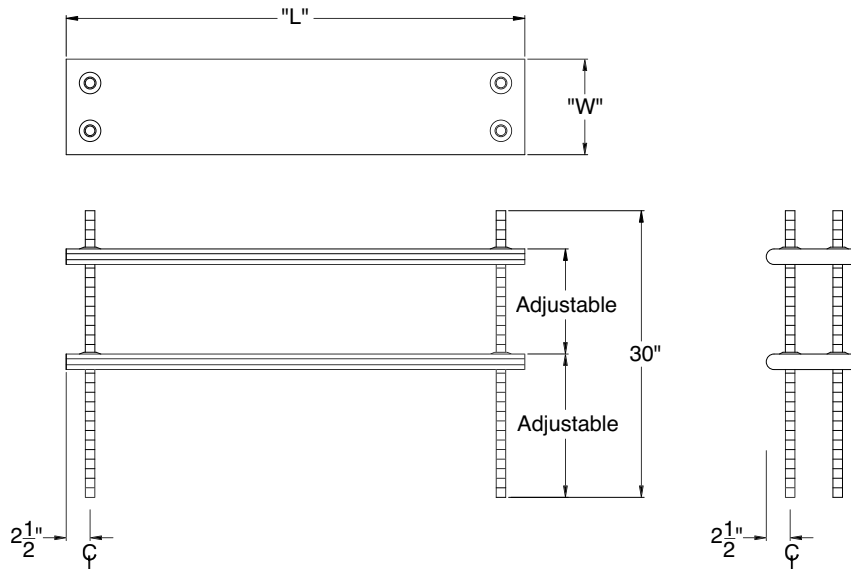
TS SERIES: ADJUSTABLE SINGLE SHELF WITH TABLE MOUNTED 14" CHROME POSTS

Specify location. Front, Center or Rear.



DS SERIES: ADJUSTABLE DOUBLE SHELVES WITH TABLE MOUNTED 30" CHROME POSTS

Specify location. Front, Center or Rear.



Brass Expander Table
Mounting Hardware Included
with TS & DS Shelving
(1" tubing only)

