

LAUNDRY ROOM AND UTILITY ROOM SINKS



Shown with Optional DTA-53-117RE Faucet.

FREE STANDING UNITS

Features:

- 16 Gauge, Type 304 Stainless Steel
- 8" O.C. faucet hole punch
- 1-5/8" stainless steel tubular legs with adjustable bullet feet
- 3-1/2" center drain and basket strainer (1-1/2" I.P.S.)

One Compartment Units

| Model | Inside Sink Bowl Dim. | Overall Size | Approx. Wt. |
|-----------|-----------------------|--------------|-------------|
| | L x W | | |
| 6-81-18RE | 18"x18"x14" | 18"x21-1/2" | 45 lbs. |
| 6-1-24RE | 24"x21"x14" | 24"x24-1/2" | 52 lbs. |
| 6-41-24RE | 24"x24"x14" | 24"x27-1/2" | 54 lbs. |
| 6-41-36RE | 24"x36"x14" | 36"x27-1/2" | 67 lbs. |

Faucet Not Included. K-105RE Faucet recommended.

Two Compartment Units

| Model | Inside Sink Bowl Dim. | Overall Size | Approx. Wt. |
|-----------|-----------------------|--------------|-------------|
| | L x W | | |
| 6-2-48RE | 24"x21"x14" | 48"x24-1/2" | 85 lbs. |
| 6-42-48RE | 24"x24"x14" | 48"x27-1/2" | 88 lbs. |

Faucet Not Included



STAINLESS STEEL ACCESSORY CADDY AC-RE

Holds soap, sponges & detergent on the side of the sink
13-1/2" L x 4" W x 3" H

WALL MOUNTED UNITS



Shown with Optional K-123RE Faucet & K-13RE Soap Dispenser.

Features:

- 16 Gauge, type Type 304 Stainless Steel
- One compartment unit
- 10" high backsplash
- 4" O.C. faucet hole punch
- Stainless steel tubular support brackets
- Stainless steel "Z" rear wall bracket
- 3-1/2" center drain and basket strainer (1-1/2" I.P.S.)

| Model | Inside Sink Bowl Dim. | Overall Size | Approx. Wt. |
|-------------|-----------------------|--------------|-------------|
| | L x W | | |
| WSS-14-21RE | 18"x14"x12" | 18"x17-1/2" | 45 lbs. |
| WSS-16-25RE | 22"x16"x12" | 22"x19-1/2" | 52 lbs. |

Faucet Not Included. K-123RE Faucet recommended.

LAUNDRY ROOM DROP-IN SINKS



Features:

- 16 Gauge, Type 304 Stainless Steel
- Three 4" O.C. hole punch for faucet installation - Additional hole punches available (Must verify faucet being installed)
- Stainless steel 3-1/2" center drain and basket strainer (1-1/2" I.P.S.)
- Sound deadened

| Model | Sink Bowl Dim. | O.A. L x W | Cut-Out Size | Approx. Wt. |
|---------------|----------------|------------|-----------------|-------------|
| | L x W x D | | | |
| LS-2016-14RE | 20"x16"x14" | 23"x21" | 22-1/4"x20-1/4" | 35 lbs. |
| LS-2418-14RE* | 24"x18"x14" | 27"x23" | 26-1/4"x20-1/4" | 42 lbs. |
| LS-2820-14RE* | 28"x18"x14" | 31"x23" | 30-1/4"x20-1/4" | 50 lbs. |

*Requires a 30" wide Countertop (Front to Back)

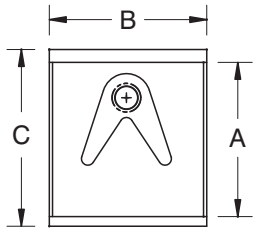
Faucet Hole Revisions Available TA-472RE (Must specify hole locations)

Professional Stainless Steel Products For Your Home

Toll Free Phone: 866-799-0106 • Toll Free Fax: 866-799-0249

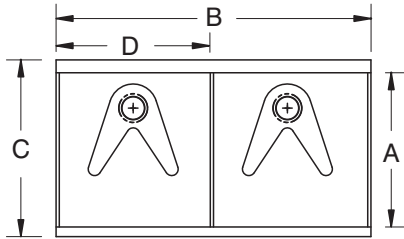
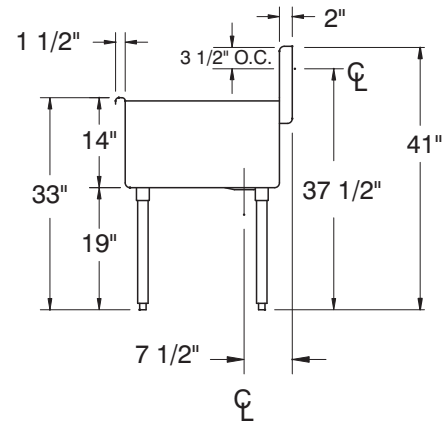
www.alinebyadvancetabco.com

FREE STANDING UTILITY/LAUNDRY UNITS



ONE COMPARTMENT

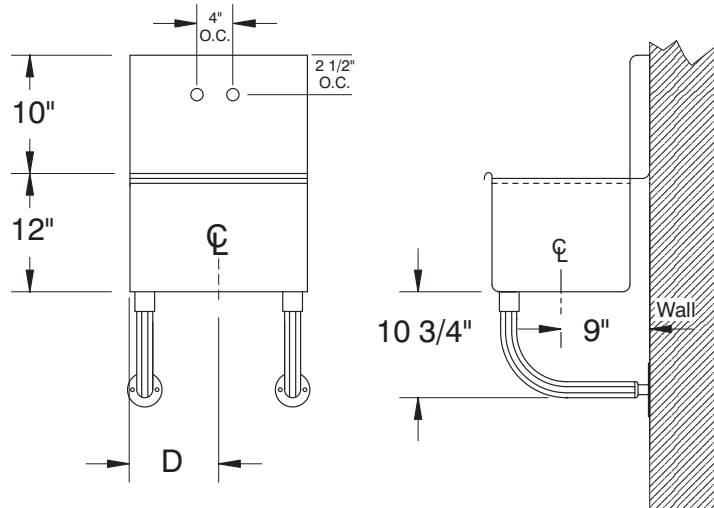
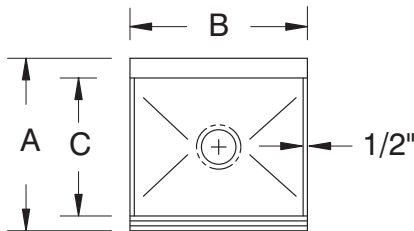
| A | B | C | "600" Series 16 Ga. S/S "300" | Ship Weight |
|-----|-----|---------|----------------------------------|----------------|
| 18" | 18" | 21 1/2" | 6-81-18RE | 45 lbs. |
| 21" | 24" | 24 1/2" | 6-1-24RE | 53 lbs. |
| 24" | 24" | 27 1/2" | 6-41-24RE | 53 lbs. |
| 24" | 36" | 27 1/2" | 6-41-36RE | 69 lbs. |



TWO COMPARTMENT

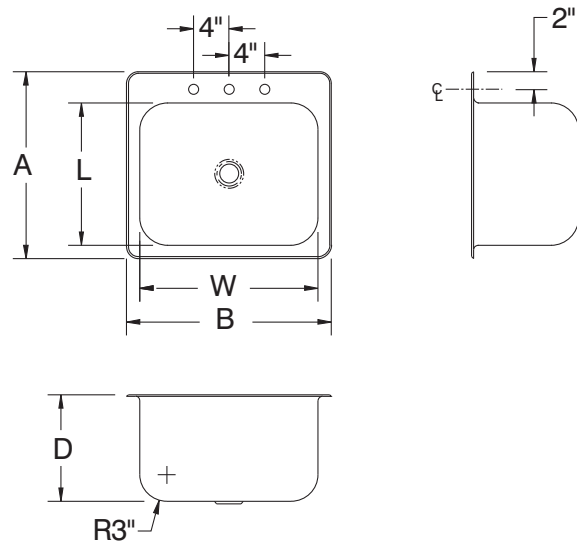
| A | B | C | D | "600" Series 16 Ga. S/S "300" | Ship Weight |
|-----|-----|---------|-----|----------------------------------|----------------|
| 21" | 48" | 24 1/2" | 24" | 6-2-48RE | 86 lbs. |
| 24" | 48" | 27 1/2" | 24" | 6-42-48RE | 88 lbs. |

WALL MOUNTED UTILITY/LAUNDRY UNITS



| Bowl Size | | | | "600" Series 16 Ga. S/S "300" | Ship Weight |
|-----------|-----|-----|-----|----------------------------------|----------------|
| A | B | C | D | | |
| 17 1/2" | 18" | 14" | 9" | WSS-14-21RE | 45 lbs. |
| 19 1/2" | 22" | 16" | 11" | WSS-16-25RE | 52 lbs. |

LAUNDRY ROOM DROP-IN SINKS



| Model | Sink Bowl Dim. L x W x D | O.A. A x B | Cut-Out Size L x W | Approx. Wt. |
|---------------|-----------------------------|---------------|-----------------------|----------------|
| LS-2016-14RE | 20"x16"x14" | 23"x21" | 22-1/4"x20-1/4" | 35 lbs. |
| LS-2418-14RE* | 24"x18"x14" | 27"x23" | 26-1/4"x20-1/4" | 42 lbs. |
| LS-2820-14RE* | 28"x18"x14" | 31"x23" | 30-1/4"x20-1/4" | 50 lbs. |

*Require a 30" wide Countertop (Front to Back)
Faucet Hole Revisions Available TA-472RE (Must specify hole locations)

Professional Stainless Steel Products For Your Home

Toll Free Phone: 866-799-0106 • Toll Free Fax: 866-799-0249

www.alinebyadvancetabco.com