



Lowerator® Enclosed Mobile Adjustube® II Plate Dispensers

PRODUCT:

QUANTITY:

ML-A HML-A
ITEM#:

Bid Specifications

Mobile enclosed, field adjustable Dish Dispenser features heavy-duty stainless steel frame construction. Tube diameters are field adjustable by positioning stainless steel guide rods in proper head guide holes. The dispensing mechanism in APW Wyott's Lowerators® uses springs attached to a sliding support bar that rides both inside and outside the tube. This design feature prevents a stack of dishware from sticking in the down position, and releasing unexpectedly. All contact edges are protected by heavy-gauge stainless steel with black rubber perimeter bumpers. Available in heated or unheated models. Unit has 4" polyurethane swivel casters, two with brakes.

Applications

Mobile enclosed cabinet-style Dish Dispenser utilizes Adjustube® II self-leveling tubes that are field adjustable for weight and diameter. Holds and dispenses plates, saucers, or bowls. Hole cutouts in base align lower end of tubes in position to prevent movement during transit. Field adjustable for varying weight loads up to 100 lbs. per tube. Available in two and three-stack units, heated and unheated models.

APW Wyott Design Features

- Promotes sanitary conditions.
- Provides finished appearance.
- Easy handling of dishware.
- Maximum stability and rigidity of unit.
- Dispensing head is stainless steel with three sets of reinforced guide holes for smooth, even operations.
- Dispensing tubes are removable for cleaning.

Reliability Backed by APW

Wyott's Warranty

- All APW Wyott Lowerators are backed by a 1 -year Parts and Labor warranty, including On-Site Service calls within 50 miles of authorized service technicians.



- Certified by the following agencies:



MODELS ML-A, HML-A Lowerator® Enclosed Mobile Adjustube® II Plate Dispensers

Options

(Add option suffix number below to model number)

- 5P 5" polyurethane casters, two with brakes.
 - Specify plastic laminate exterior.
 - 208/240V units are available.
- | | | |
|---|-----------------------------------|--|
| <input type="checkbox"/> ML2-9A | <input type="checkbox"/> ML2-12A | <input type="checkbox"/> ML2-9A/12A |
| <input type="checkbox"/> ML3-9A | <input type="checkbox"/> ML3-12A | <input type="checkbox"/> ML3-9A/12A/12A |
| <input type="checkbox"/> ML3-9A/9A/12A | | |
| <input type="checkbox"/> HML2-9A | <input type="checkbox"/> HML2-12A | <input type="checkbox"/> HML2-9A/12A |
| <input type="checkbox"/> HML3-9A | <input type="checkbox"/> HML3-12A | <input type="checkbox"/> HML3-9A/12A/12A |
| <input type="checkbox"/> HML3-9A/9A/12A | | |

See reverse side for product specifications.

APW Wyott Foodservice Equipment Company

729 Third Avenue • Dallas, TX 75226 • 800-527-2100 • 1-214-421-7366 • Fax 1-214-565-0976



For more information e-mail us at: Info@APWwyott.com

Rev. 1/1/2003



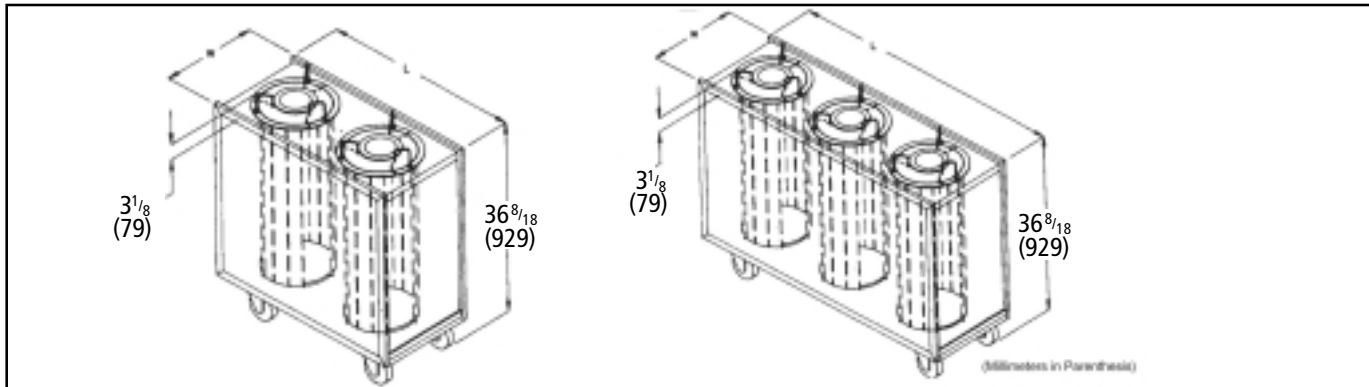
Lowerator® Enclosed Mobile Adjustube® II Plate Dispensers

Models: ML-A HML-A

PRODUCT:

QUANTITY:

ITEM#:



Lowerator® Enclosed Mobile Adjustube® II Plate Dispensers

PRODUCT SPECIFICATIONS

Construction:

Stainless steel frame, tubes, side panels, and top. Black rubber perimeter bumper. 4" rubber swivel casters.

Electrical Information:

Each heated tube has individual heaters and controls (thermostat, on/off switch, light). Tube thermostats adjustable from 100° to 160° F. Units provided with 5-foot, 3-wire, 14-gauge power cord with NEMA 5-15 plug. 208/240V units available.

Overall Dimensions:

Model Number	Description	Unheated Models		Overall Dimensions		
		L	W	Shipping Wt.	Net Wt.	Max. Capacity (lbs.)
ML2-9A	2 tubes (Each 3 1/2" to 9 1/8" china)	30 3/8"	15 3/8"	104 lbs	74 lbs.	214
ML2-12A	2 tubes (Each 9 1/4" to 12" china)	32 3/8"	17"	110 lbs	80 lbs.	338
ML2-9A/12A	2 tubes (One 3 1/2" to 9 1/8" china) (One 9 1/4" to 12" china)	32 3/8"	17"	108 lbs	78 lbs.	276
ML3-9A	3 tubes (Each 3 1/2" to 9 1/8" china)	40 1/4"	18 1/8"	151 lbs	111 lbs.	321
ML3-12A	3 tubes (Each 9 1/4" to 12" china)	48 1/4"	18 1/8"	158 lbs	118 lbs.	507
ML3-9A/ 9A/12A	3 tubes (Two 3 1/2" to 9 1/8" china) (One 9 1/4" to 12" china)	48 1/4"	18 1/8"	155 lbs	115 lbs.	383
ML3-9A/ 12A/12A	3 tubes (One 3 1/2" to 9 1/8" china) (Two 9 1/4" to 12" china)	48 1/4"	18 1/8"	156 lbs	116 lbs.	445

Units are 36 1/8" H. Each tube has a vertical capacity of 24".

Heated Models		Overall Dimensions			Maximum Capacity (lbs.)	Total Watts	Total Amps	
Model Number	Description	L	W	Shipping Weight				Net Weight
HML2-9A	2 tubes (Each 3 1/2" to 9 1/8" china)	30 3/8"	15 3/8"	128 lbs	98 lbs.	214	840	6.4
HML2-12A	2 tubes (Each 9 1/4" to 12" china)	32 3/8"	17"	134 lbs	104 lbs.	338	1000	8.4
HML2-9A/12A	2 tubes (One 3 1/2" to 9 1/8" china) (One 9 1/4" to 12" china)	32 3/8"	17"	132 lbs	102 lbs.	276	920	7.3
HML3-9A	3 tubes (Each 3 1/2" to 9 1/8" china)	40 1/4"	18 1/8"	175 lbs	135 lbs.	321	1260	9.3
HML3-12A	3 tubes (Each 9 1/4" to 12" china)	48 1/4"	18 1/8"	182 lbs	142 lbs.	507	1500	12.3
HML3-9A/9A/12A	3 tubes (Two 3 1/2" to 9 1/8" china) (One 9 1/4" to 12" china)	48 1/4"	18 1/8"	179 lbs	139 lbs.	383	1340	10.3
HML3-9A/12A/12A	3 tubes (One 3 1/2" to 9 1/8" china) (Two 9 1/4" to 12" china)	48 1/4"	18 1/8"	180 lbs	140 lbs.	445	1420	11.3

208/240 V units available. Each tube has a vertical capacity of 24". F.O.B./ Cheyenne, WY

World Class Support

World Class Sales Support to assist you with finding the right solution to your operation's needs. Call Customer Service at (800) 527- 2100 or Fax your request to (214) 565-0976. For more information about APW Wyott's World Class Support and High Performance Equipment, look us up on the Internet at www.APWwyott.com

Most Extensive Service System in the Industry! APW Wyott has two levels of service support for your needs:

- Direct Service Hot Line to Service Department, call (800) 752-0863.
- To find the Registered Service Technician in your area, call Automated Service Hot Line at (800) 733-2203.

APW Wyott reserves the right to modify specifications or discontinue models without incurring obligation.



APW Wyott Foodservice Equipment Company

729 Third Avenue • Dallas, TX 75226 • 800-527-2100 • 1-214-421-7366 • Fax 1-214-565-0976

For more information e-mail us at: Info@APWwyott.com

Rev. 1/1/2003 #1317