

PRODUCT:

QUANTITY:

ITEM:

Designed Smart

Compact Design with High Output

The Drop-In Cold Well provides an economic solution to the cost of in-counter refrigeration

- User R-134a refrigerant
- Holds 4 pans 1/6th size by 6" deep.
- Each pan has its own hinged, removable cover.
- All pans are completely removable for easy cleaning.
- Cold well refrigeration system utilizes a 1/6 HP compressor.

APW Wyott Design Features

- User R-134a refrigerant
- Holds 4 pans 1/6th size by 6" deep.
- Each pan has its own hinged, removable cover.
- All pans are completely removable for easy cleaning.
- Cold well refrigeration system utilizes a 1/6 HP compressor.

Option and Accessories

- COMP-5 5-year compressor warranty
- 4" deep polycarbonate food wells with hinged acrylic covers.



Reliability backed by APW Wyott's Warranty

APW Wyott Drop-In Cold Wells are backed by a 1-year parts and labor warranty, including on-site service calls within 50 miles of authorized service technicians.

Certified by the following agencies:

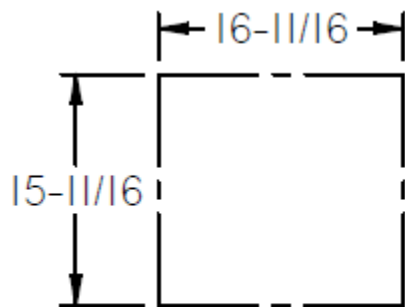
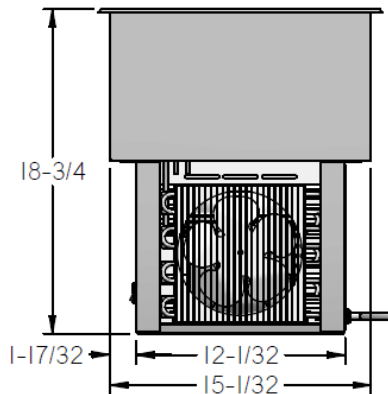
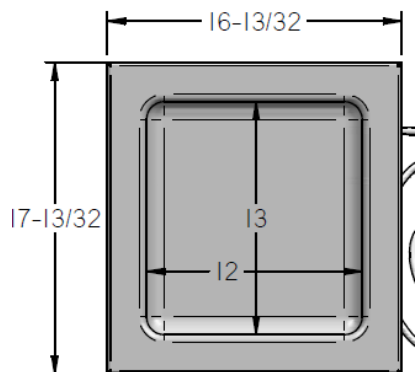


See reverse side for product specifications.

PRODUCT:

QUANTITY:

ITEM:



Cut out Size +/- 1/4

PRODUCT SPECIFICATIONS

Construction:

Interior is stainless steel exterior is aluminized steel. Utilizes a 1/6th HP compressor. RTR-4Di comes with 4 hinged polycarbonate pans. Refrigeration is a cold wall system and utilizes a R-134a (CFC free) refrigerant.

Electrical Specifications:

RTR-4Di: 120V, 360W, 60 Hz, 1 Ph, 3 Amps

Capacity:

RTR-4Di holds (4) 1/6th size 6" deep pans.

Dimensions:

RTR-4Di: 7-¹³/₃₂"L x 16-¹³/₃₂"W x 1-³/₄"H

Recommended Cutout 16-¹¹/₁₆" x 15-¹¹/₁₆"

Shipping:

Weight: 67 Lbs

Freight Class: 70

FOB: Allen, TX 75013

*APW Wyott reserves the right to modify specifications or discontinue models without incurring obligation.