

PRODUCT:

QUANTITY:

ITEM:

## Designed Smart

Heavy-duty top mount, uninsulated round drop-in Hot Food Well is designed for installation in metal, or wood countertops, if optional wood mounting kit is provided. Hot Food Well is designed to accommodate standard 7 sq., round insets.

Well is constructed of one-piece, die-stamped heavy gauge stainless steel. Units shipped with drain are provided with stainless steel ½" NPT drain welded bottom of pan provided with removable screen.

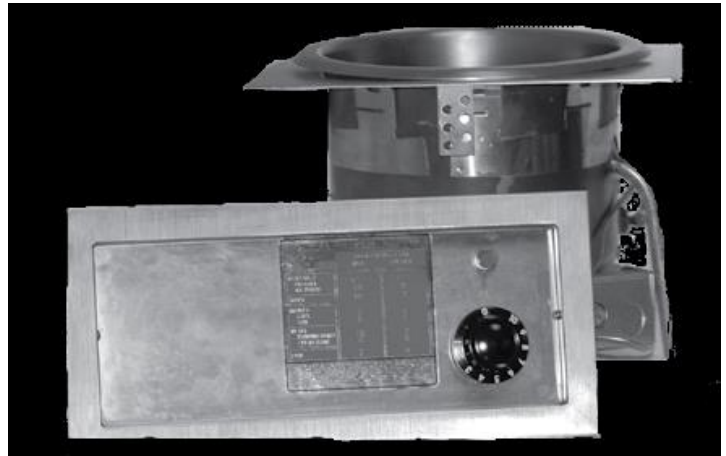
Unit is heated by a tubular calrod heat element shaped in circular fashion for even heat distribution to pan base. Element is mounted under well. Entire heat assembly is covered with aluminized steel housing threaded studs for ease of service. Unit standard with APW Wyott E-Z Lock installation.

Has all the same features as standard UL round soup well, with the benefit of EZ-Fill. Uninsulated EZ-Fill soup well is equipped with a self-regulating water fill system that supplies and maintains the correct water level in the soup well pan. Comes standard with the drain and thermostatic controls. Single phase.

## Reliability backed by APW Wyott's Warranty

All APW Wyott Food Wells are backed by a 1-year parts and labor warranty, including on-site service calls within 50 miles of authorized service technicians.

•Certified by the following agencies:



## APW Wyott Design Features

- Stainless steel well pans.
- Stainless steel drain coupling
- Unit may be used WET or DRY (wet offers best results)
- Easy access to heating elements
- Thermostatic control with 36" capillary (effective length 26")
- Standard EZ Lock reduces installation time
- Large indicating pilot light
- Multiple units can be installed same table or countertop

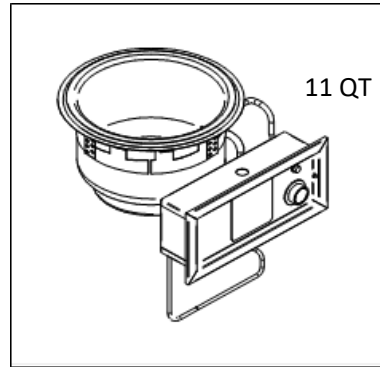
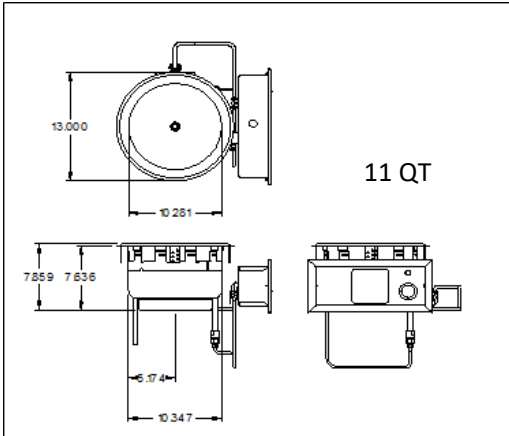
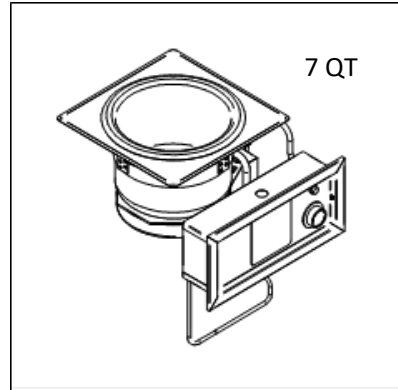
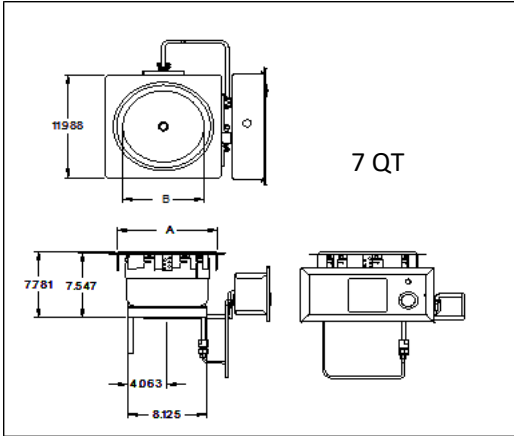
## Options

- Electric Code kit 36" (55346) or 72" (55347)
- Drain valve kit (56420)
- Lever operator shut off valve (56360)

PRODUCT:

QUANTITY:

ITEM:



**Construction:**

Stainless steel interior and exterior, with fully insulated EZ-Fill

**Electrical Information:**

Unit is standard with Single Phase

**Electrical Specifications:**

120V, 800W, 6.7 Amps

240/240V, 500/660W,

**Capacity:**

10 ½ - 11 qt, with EZ-Fill and drain

**Shipping:**

15 lbs

**Freight Class**

FOB: Allen, Texas 75013

**CUT-OUT DETAILS**

