



Item No. _____

HYDRAULIC DOUGH DIVIDER BMBT030

Features:

- Dough piece weight: 5 oz to 28 oz.
- Heavy duty steel frame.
- Ergonomic Controls.
- Single lever controls pressure plate and knives.
- Reinforced chassis on four casters.
- Two locking casters.
- High quality stainless steel blades.
- Lid Guard.
- Simple to operate and virtually maintenance free.
- The round chamber minimizes pressure on dough, combining performance, speed and work comfort.

Other specifications:

- NEMA: L15-20P



The BakeMax® Hydraulic Dough Divider gently and equally divides up to 35 lbs of dough into 20 even pieces of dough ranging from 5 to 28 ounces.



Think Quality, Value, Service.....Think

BakeMax®

HYDRAULIC DOUGH DIVIDER BMBT030

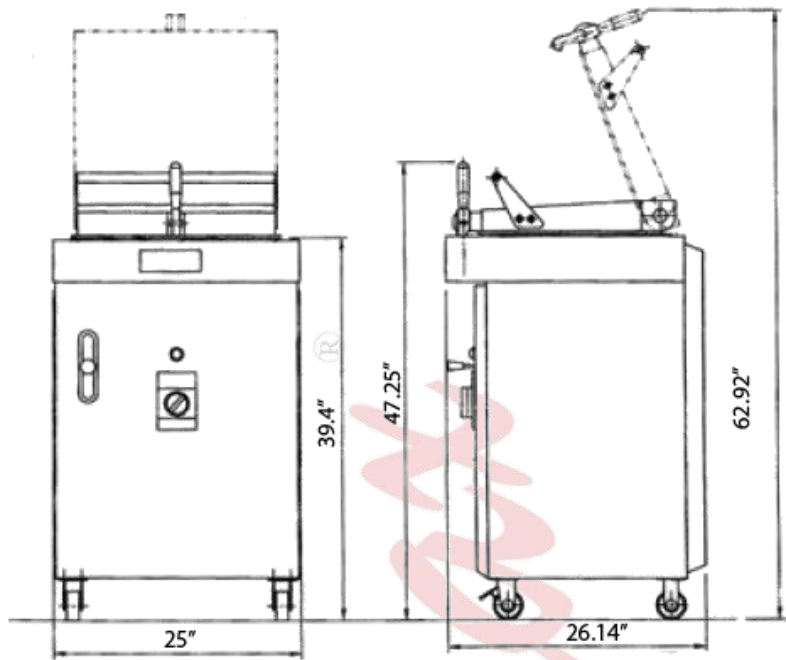
Volume

External and Internal Dimensions (D x W x H)

| Model | External | Internal |
|---------|---------------------|-------------------|
| BMBT030 | 27" x 26.5" x 46.5" | 12" x 20" x 0.75" |

Capacity

| Model | Dough Capacity | Dough Dividing Weight |
|---------|--------------------------------|---------------------------------------|
| BMBT030 | 3kg - 16kg 6.6 lbs - 35 lbs | 150g - 800g/pcs 5.29 - 28.2 oz/pcs |



Electrical Information

| Model | Voltage | Phase | Amps | Watts | Hertz | NEMA |
|---------|---------|-------|------|-------|-------|---------|
| BMBT030 | 220 | 3 | 7 | | 60 | L15-20P |

Shipping Information

| Model | Net Weight (kg) | Crated Weight(kg) | Crate Dimensions (D x W x H) |
|---------|------------------|-------------------|------------------------------|
| BMBT030 | 717 lbs / 325 kg | 805 lbs / 365 kg | 29" x 28.5" x 53" |



Authorized Dealer:



BakeMax America/ Titan Ventures, Inc.
170 Millennium Blvd, Moncton, NB, E1E2G8 
3601 Pinnacle Point Dr, Dallas, TX 75211 
Toll Free: 1-800-565-BAKE (2253)
Telephone: 1-506-858-8990
Fax: 1-506- 859-6929

BakeMax® is a registered trademark of Titan Ventures International, Inc.

Think Quality, Value, Service..... Think

BakeMax®

Toll Free: 1-800-565-BAKE (2253)

Web Site: www.BakeMax.com

E-mail: Sales@BakeMax.com