



Item No. _____

20qt PLANETARY MIXER BMPME20

Features:

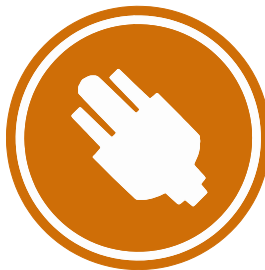
- Gear driven.
- Professional countertop style.
- 1.5HP (1.1kW) motor offers enough power to mix stiffer doughs and larger batches.
- All metal and die-cast aluminum body.
- Transmission is made of hardened alloy steel gears.
- All shafts are mounted in ball bearings.
- Planetary mixing action ensures perfect results.
- Simple hand lift tool change and bowl removal.
- Safety guard is standard, and provides automatic shut-off when guard is opened at any speed.

Other specifications:

- 20qt stainless steel bowl.
- Dough Hook.
- Flat Beater.
- Wire Whip.
- Plug N' Go electrical for easy installation.



BakeMax[®] Planetary Mixers provide durability, long life and excellent mixing performance. A wide range of sizes to choose from provides clients with the exact mixer for their particular needs. They are safe, easy to use and capable of a broad range of dough and food mixing applications.



Think Quality, Value, Service.....Think



20qt PLANETARY MIXER BMPME20

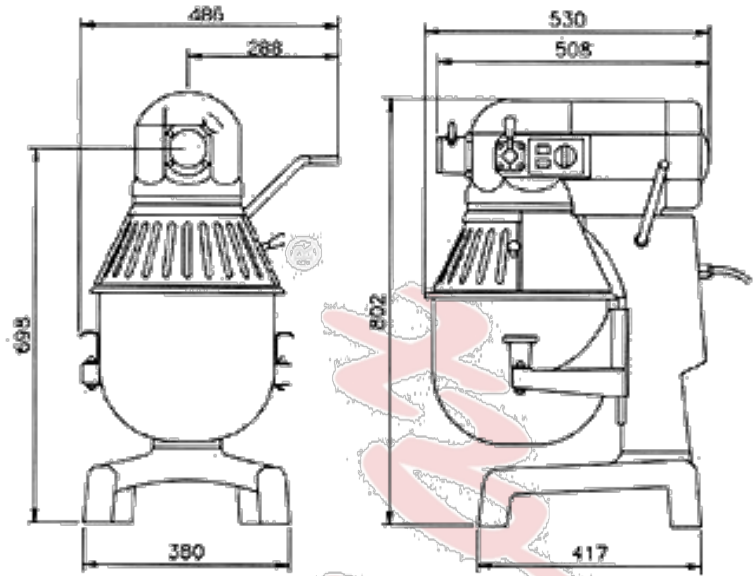
Volume

External and Internal Dimensions (D x W x H)

| Model | External |
|---------|-----------------|
| BMPME20 | 23" x 23" x 31" |

Capacity

| Product | Amount |
|----------|--------|
| Capacity | 20Qt |



Electrical Information

| Model | Voltage | Phase | Amps | Watts | Hertz | NEMA |
|---------|---------|-------|------|-------|-------|-------|
| BMPME20 | 110 | 1 | 20 | 2200 | 60 | 5-30P |



Authorized Dealer:



BakeMax Manufacturing, Inc.
170 Millenium Blvd, Moncton, NB, E1C 1M8
Toll Free: 1-800-565-BAKE
Telephone: 1-506-858-8990
Fax: 1-506-859-6929

Think Quality, Value, Service.....Think

BakeMax[®]

Toll Free: 1-800-565-BAKE

Web Site: www.bakemax.com

E-mail: sales@bakemax.com

Printed in Canada