



Item No. \_\_\_\_\_

# VEGETABLE SLICER BMVS001

Features:

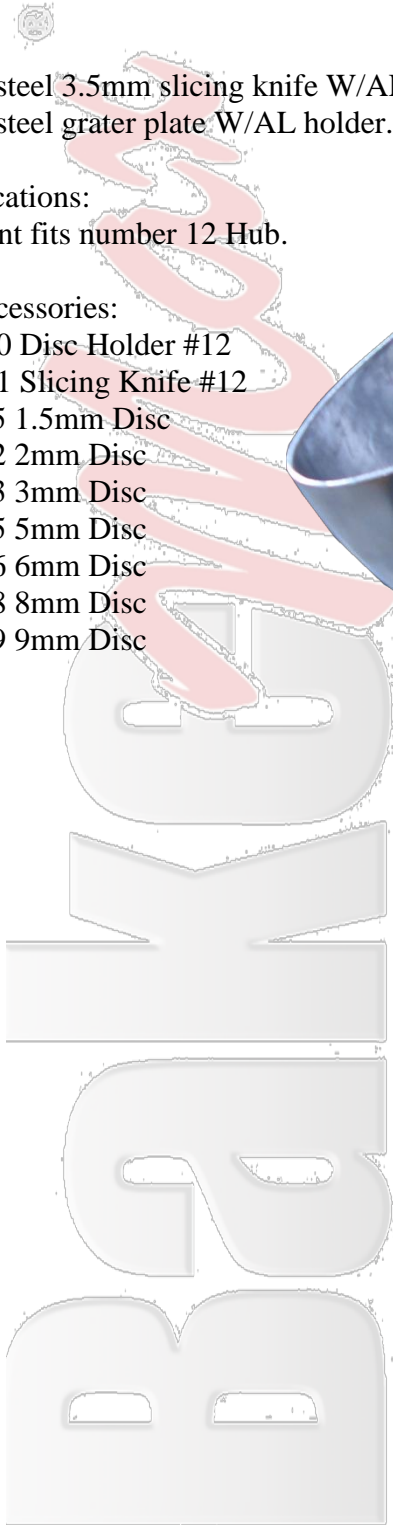
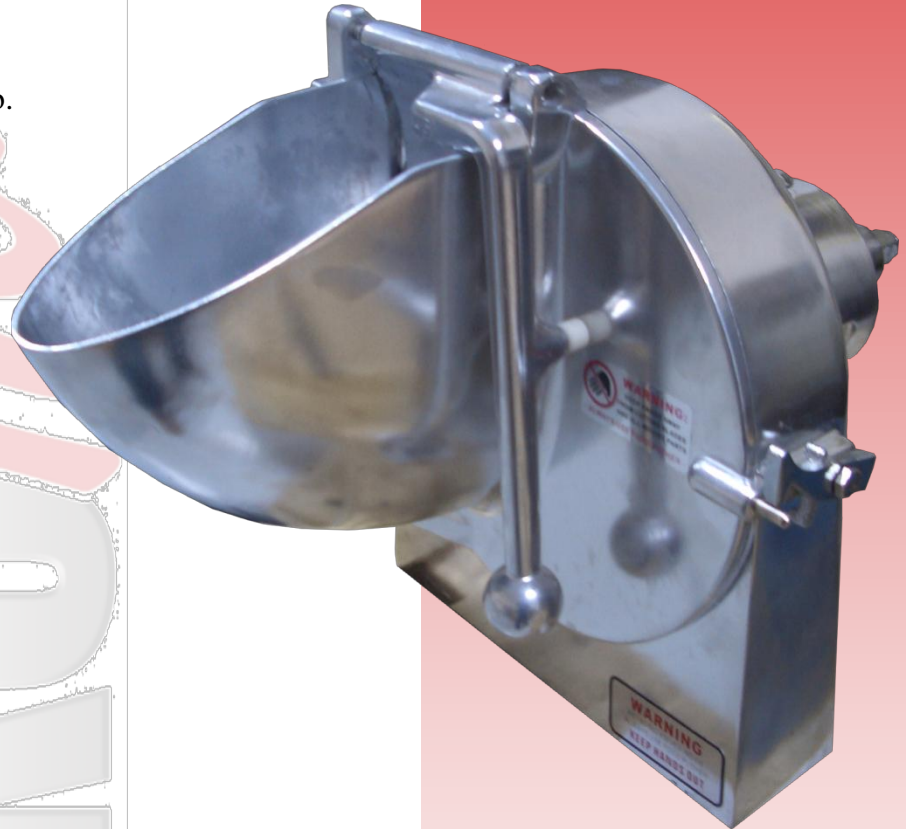
- Stainless steel 3.5mm slicing knife W/AL holding.
- Stainless steel grater plate W/AL holder.

Other specifications:

- Attachment fits number 12 Hub.

Available Accessories:

- BMVS020 Disc Holder #12
- BMVS001 Slicing Knife #12
- BMSP015 1.5mm Disc
- BMSP002 2mm Disc
- BMSP003 3mm Disc
- BMSP005 5mm Disc
- BMSP006 6mm Disc
- BMSP008 8mm Disc
- BMSP009 9mm Disc



The BakeMax<sup>®</sup> Vegetable Slicer Attachment will put your mixer or power drive to work, shredding cabbage, slicing potatoes into chip thinness, grating and shredding cheese, slicing nuts, hard and soft fruits and vegetables.

Attachment fits #12 Hub.

Think Quality, Value, Service.....Think



# VEGETABLE SLICER BMVS001



Authorized Dealer:



BakeMax Manufacturing, Inc.  
170 Millennium Blvd, Moncton, NB, E1C 1M8  
Toll Free: 1-800-565-BAKE  
Telephone: 1-506-858-8990  
Fax: 1-506-859-6929



**Think Quality, Value, Service.....Think**



Toll Free: 1-800-565-BAKE

Web Site: [www.bakemax.com](http://www.bakemax.com)

E-mail: [sales@bakemax.com](mailto:sales@bakemax.com)

Printed in Canada