



www.doyon.qc.ca • www.nu-vu.com

## DL18SP, DL18DP & DL18P

### COUNTER TOP SHEETERS

The Doyon DL18 series dough sheeter is an efficient one (DL18SP) or two stage (DL18DP & DL18P) machine featuring a front infeed and discharge. Ergonomic design makes it easy and simple to operate.

Pizza and pie shells are made easily with this compact, counter top design that is simple to use. Simply drop a floured dough ball at the top and pick the sheeted dough piece at the bottom.

Sheet dough up to 17" (432 mm) in diameter to a uniform thickness in seconds. One operator can make up 250 pieces per hour. Simple, fast and economical. Sheet pie crusts or pizza shells up to 17" (432 mm). The DL18 series features large diameter rollers and a Quick Change Index System to quickly change the gap between the dough rollers.

Ideal for: Pizza (up to 17" - 432 mm), Tortillas, Calzones, Focaccia Roti, Pita Bread, Flat Bread with an absorption rate of 50-60%



DL18SP



DL18P



DL18DP

### STANDARD FEATURES

#### COUNTER TOP SHEETERS

- Stainless steel construction
- Compact design, ideal for use in a limited space
- Minimum rollers gap: 1/32"  
Maximum rollers gap : 17/64"
- DL18SP, DL18P & DL18DP : up to 17" (432 mm) diameter
- Top rollers: 3 1/2" dia. x 10" length (89 mm x 254 mm)
- Bottom rollers: 3 1/2" dia. x 20" length (89 mm x 508 mm)
- Sheet up to 250 pieces per hour
- Ideal for pizzas, tortillas, wraps, flat bread, etc. with an absorption rate of 50-60%
- Heavy gauge, steel frame
- Stainless steel infeed and chute
- Scrapers, sanitary and easily removed for cleaning
- Sealed bearings
- Adjustable roller gap
- Two year parts and one year labor warranty

#### OPTIONS

- DL18P and DL18DP
- CSST conformity kit for Québec

#### PARALLEL ROLLERS

- Rectangular Product

#### DIAGONAL ROLLERS

- Circular Product



*Experience our top-of-the-line sheeters today!*



5600 13th Street • Menominee, MI 49858 USA

Phone: 906-863-4401

E-mail: sales@nu-vu.com

Toll Free: 1-800-338-9886

www.doyon.qc.ca

Fax: 906-863-5889

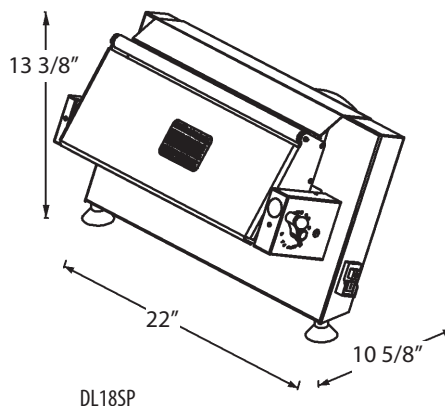
www.nu-vu.com

# DL18SP, DL18DP & DL18P

## OVERALL DIMENSIONS

### DL18SP

22" W X 10 5/8" D X 13 3/8" H  
(560 mm X 270 mm X 340 mm)  
Roller: 2" X 18" (51 mm X 457 mm)



### DL18DP

20 1/2" W X 13" D X 31 1/2" H  
(520 mm X 330 mm X 800 mm)  
Top Roller: 2" X 10 1/2" (51 mm X 267 mm)  
Bottom Roller: 2" X 18" (51 mm X 457 mm)

### DL18P

22 1/2" W X 13" D X 32 1/4" H  
(570 mm X 330 mm X 820 mm)  
Top Roller: 2" X 10 1/2" (51 mm X 267 mm)  
Bottom Roller: 2" X 18" (51 mm X 457 mm)

## ELECTRICAL SYSTEM

120V - 1 PH - 370 Watts - 60 Hz

Heavy duty, maintenance free 1/2 HP motor

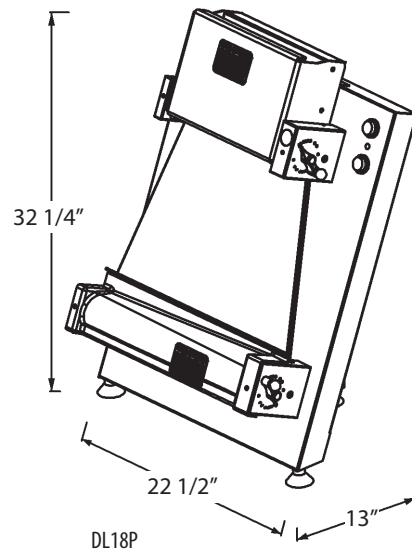
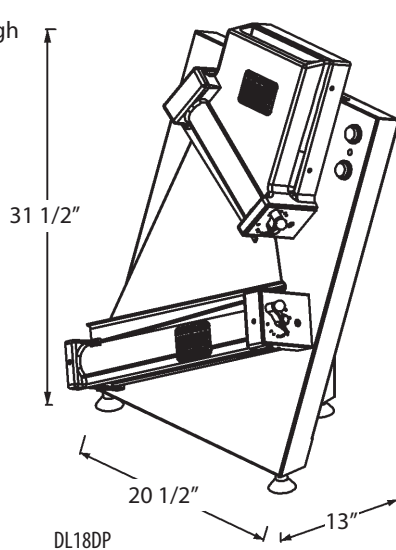
## CAPACITY

Sheets from 1 oz to 10.5 oz (30g to 300g) of dough  
Maximum rollers gap : 13/64" (5 mm)  
Up to 250 dough pieces per hour

**FINISH:** Stainless steel

## SHIPPING WEIGHT

DL18SP 100 lb (45 kg) approximately  
DL18DP 100 lb (45 kg) approximately  
DL18P 100 lb (45 kg) approximately



5600 13th Street • Menominee, MI 49858 USA

Phone: 906-863-4401 E-mail: sales@nu-vu.com  
Toll Free: 1-800-338-9886 www.doyon.qc.ca  
Fax: 906-863-5889 www.nu-vu.com