

CWTF15-3, PF (3 Lower Left Warmers)

Height: 17.3" Width: 16.4" Depth: 21.4"
(43.9cm) (41.7cm) (54.4cm)

- All stainless steel construction
- Hot water faucet (requires active plumbing connection)
- Pourover feature
- SplashGard® funnel deflects hot liquids away from the hand
- PROP 65 Warning Decal included in packaging with equipment
- Servers not included unless otherwise noted



Server(s) sold separately

Agency:



Specifications

Product #: 12950.0298

Faucet: Upper

Water Access: Plumbed

Warmers: Three Lower

Finish: Stainless

Funnel: Black Plastic

Additional Features

Low Profile

Pourover Option

Electrical & Capacity

| Volts* | Amps | Watts | Cord Attached | Plug Type | 8oz cups/hr 236ml cups/hr | Input H ₂ O Temp. | Phase | # Wires plus Ground | Hertz |
|--------|------|-------|---------------|------------|------------------------------|---------------------------------|-------|------------------------|-------|
| 120 | 13.9 | 1670 | Yes | NEMA 5-15P | 62 | 60°F (15.5°C) | 1 | 2 | 60 |

*When a BUNN is machine rated 120/208-240V, 120/208V or 120/240V, the higher voltage is the supply voltage needed to power the machine. The 120V is there to supply power to some components rated 120V in the machine, but it is not the supply voltage and would not power the machine if the machine is marked with the before mentioned ratings.

Plumbing Requirements

| PSI | kPa | Fitting Supplied | Water Flow Required (GPM) |
|-------|---------|-------------------------|---------------------------|
| 20-90 | 138-621 | 1/4" Male Flare Fitting | - |

CAD Drawings

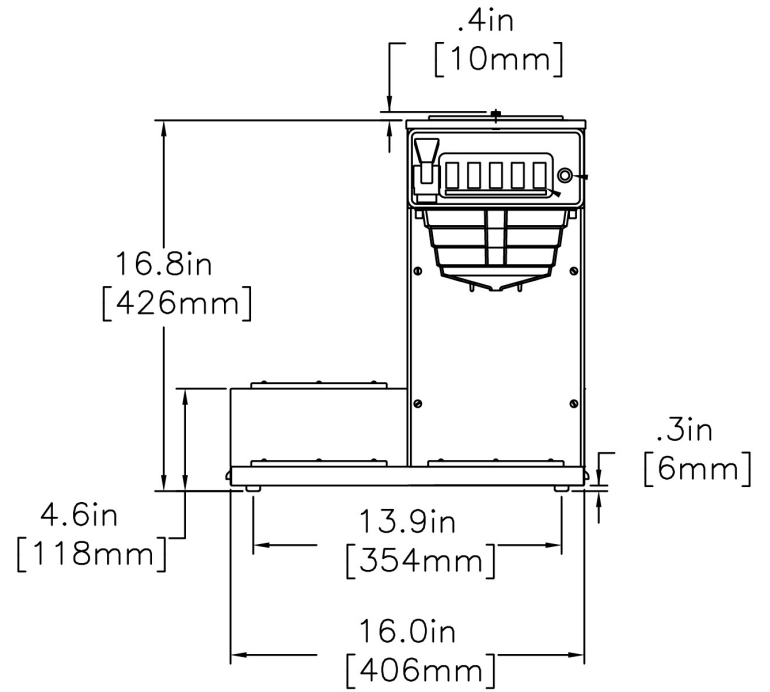
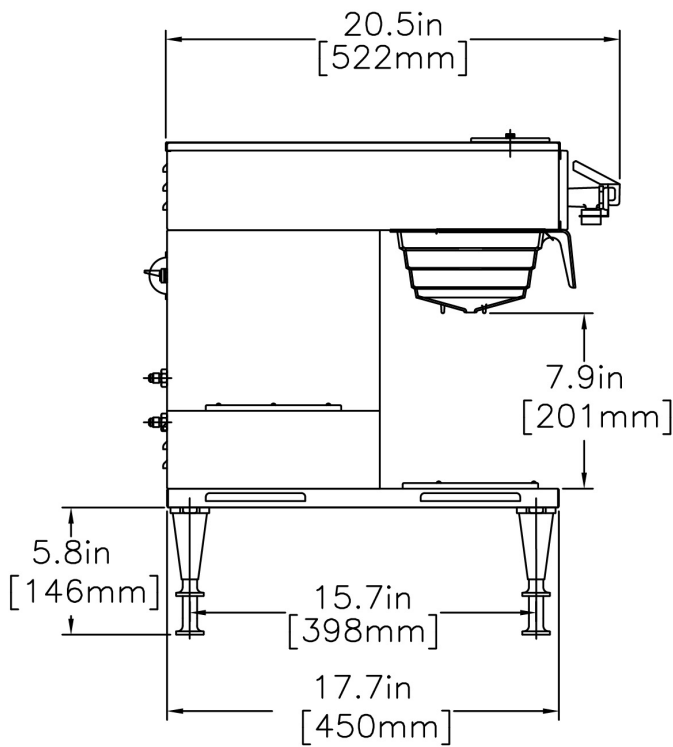
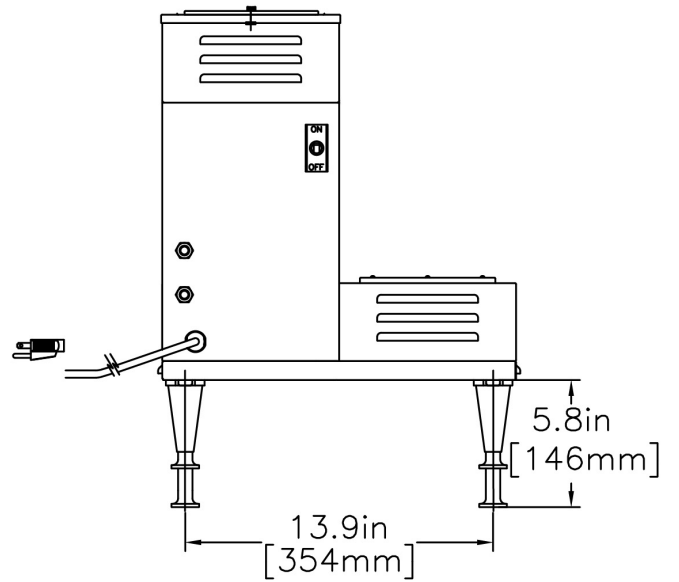
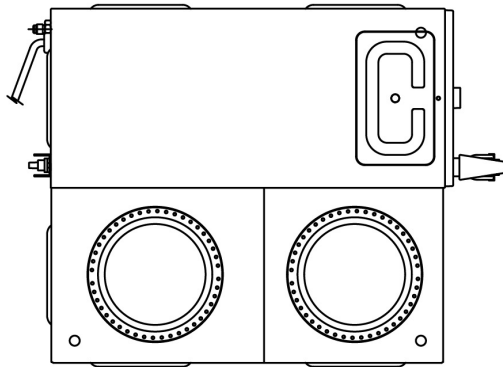
| 2D | Revit | KLC |
|----|-------|-----|
| ● | | |

WARNING: This product can expose you to chemicals including Bisphenol A (BPA), which is known to the State of California to cause birth defects or other reproductive harm. For more information go to www.P65Warnings.ca.gov



BUNN® reserves the right to change specifications and product design without notice. Such revisions do not entitle the buyer to corresponding changes, improvements, additions or replacements for previously purchased equipment. For most current specifications and other info visit bunn.com.

Last Updated:
05/15/2020



| | Unit | | | Shipping | | | | |
|---------|----------|----------|----------|----------|----------|----------|------------|-----------------------|
| | Height | Width | Depth | Height | Width | Depth | Weight | Volume |
| English | 17.3 in. | 16.4 in. | 21.4 in. | 22.4 in. | 19.9 in. | 25.8 in. | 39.400 lbs | 6.643 ft ³ |
| Metric | 43.9 cm | 41.7 cm | 54.4 cm | 56.8 cm | 50.5 cm | 65.6 cm | 17.872 kgs | 0.188 m ³ |



BUNN® reserves the right to change specifications and product design without notice. Such revisions do not entitle the buyer to corresponding changes, improvements, additions or replacements for previously purchased equipment. For most current specifications and other info visit bunn.com.

Last Updated:
05/15/2020

Related Products & Accessories: CWTF15-3, PF (3 Lower Left Warmers)(12950.0298)



FILTERS,REGULAR1M
500/2 50/CL

Product #: 20115.0000



FUNNEL W/DECALS,
BLACK PLASTIC

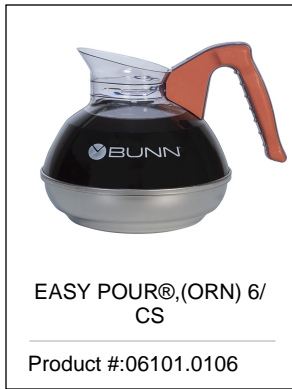
Product #: 20583.0003



BUNN® reserves the right to change specifications and product design without notice. Such revisions do not entitle the buyer to corresponding changes, improvements, additions or replacements for previously purchased equipment. For most current specifications and other info visit bunn.com.

Last Updated:
05/15/2020

Serving & Holding Options: CWTF15-3, PF (3 Lower Left Warmers)(12950.0298)



BUNN® reserves the right to change specifications and product design without notice. Such revisions do not entitle the buyer to corresponding changes, improvements, additions or replacements for previously purchased equipment. For most current specifications and other info visit bunn.com.

Last Updated:
05/15/2020