

CWTF-DV-3 (3 Lower Warmers)

Height: 18.9" Width: 16.4" Depth: 21.4"
(48.0cm) (41.7cm) (54.4cm)

- All stainless steel construction
- Hot water faucet (requires active plumbing connection)
- Pourover feature
- SplashGard® funnel deflects hot liquids away from the hand
- Designed with low profile height to fit under-cabinet space
- Servers not included unless otherwise noted



 Server(s) sold separately

Agency:



Specifications

Product #: 12950.0409
Water Access: Plumbed
Finish: Stainless
Funnel: Stainless Steel
Faucet: Upper
Warmers: Three Lower
Legs: 4" Satin Nickel Legs

Additional Features

Low Profile
 Pourover Option

Electrical & Capacity

Volts*	Amps	Watts	Cord Attached	Plug Type	8oz cups/hr 236ml cups/hr	Input H ₂ O Temp.	Phase	# Wires plus Ground	Hertz
120	13.9	1670	No	-	62	60°F (15.5°C)	1	2	60
120/208	14	2640	-	N/A	107	60°F (15.5°C)	1	3	60
120/240	16	3400	-	N/A	120	60°F (15.5°C)	1	3	60

*When a BUNN is machine rated 120/208-240V, 120/208V or 120/240V, the higher voltage is the supply voltage needed to power the machine. The 120V is there to supply power to some components rated 120V in the machine, but it is not the supply voltage and would not power the machine if the machine is marked with the before mentioned ratings.

Plumbing Requirements

PSI	kPa	Fitting Supplied	Water Flow Required (GPM)
20-90	138-621	1/4" Male Flare Fitting	-

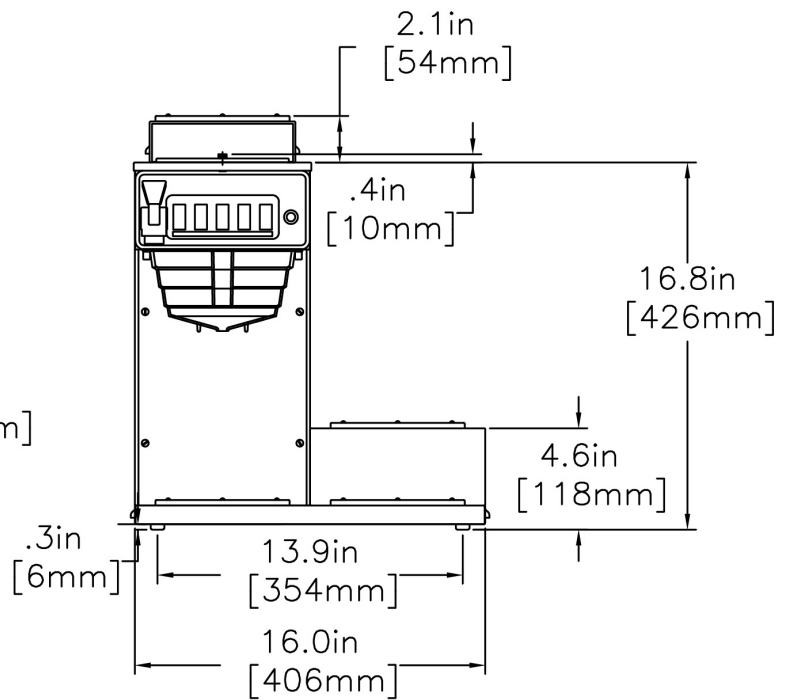
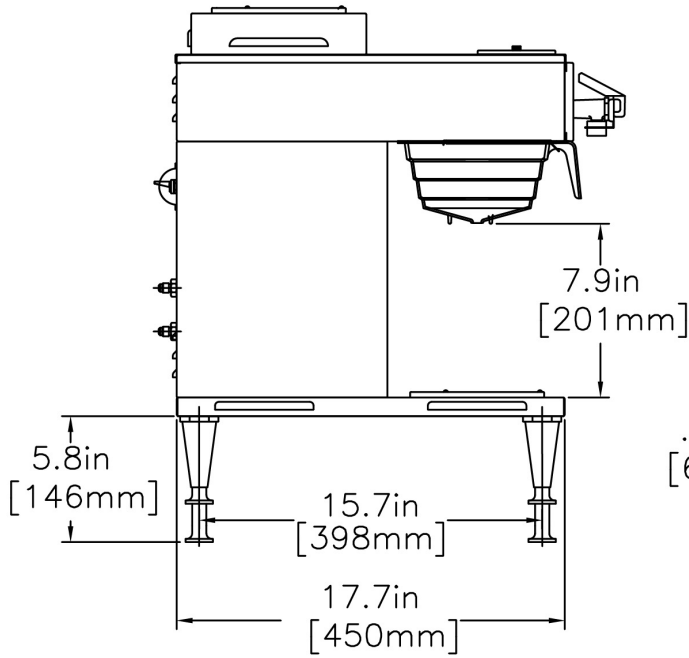
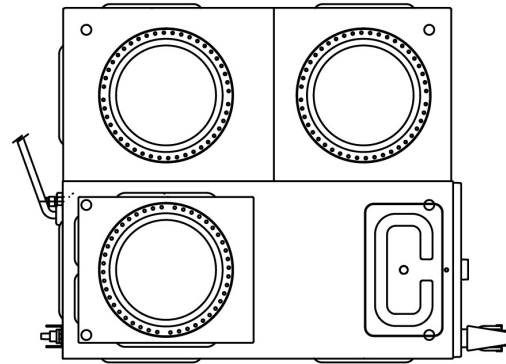
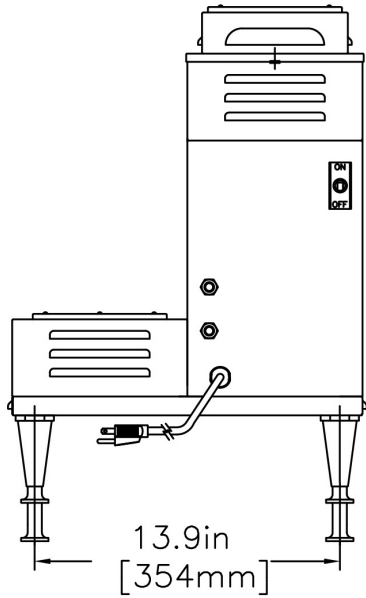
CAD Drawings

2D	Revit	KLC
●		



BUNN® reserves the right to change specifications and product design without notice. Such revisions do not entitle the buyer to corresponding changes, improvements, additions or replacements for previously purchased equipment. For most current specifications and other info visit bunn.com.

Last Updated:
05/13/2020



	Unit			Shipping				
	Height	Width	Depth	Height	Width	Depth	Weight	Volume
English	18.9 in.	16.4 in.	21.4 in.	22.4 in.	19.9 in.	25.8 in.	44.900 lbs	6.643 ft ³
Metric	48.0 cm	41.7 cm	54.4 cm	56.8 cm	50.5 cm	65.6 cm	20.367 kgs	0.188 m ³



BUNN® reserves the right to change specifications and product design without notice. Such revisions do not entitle the buyer to corresponding changes, improvements, additions or replacements for previously purchased equipment. For most current specifications and other info visit bunn.com.

Last Updated:
05/13/2020

Related Products & Accessories: CWTF-DV-3 (3 Lower Warmers)(12950.0409)



FILTERS,REGULAR1M
500/2 50/CL

Product #: 20115.0000



FUNNEL ASSY, SST-BLK
HDL(7.12)














Product #: 20216.0000



BUNN® reserves the right to change specifications and product design without notice. Such revisions do not entitle the buyer to corresponding changes, improvements, additions or replacements for previously purchased equipment. For most current specifications and other info visit bunn.com.

Last Updated:
05/13/2020

Serving & Holding Options: CWTF-DV-3 (3 Lower Warmers)(12950.0409)

 <p>EASY POUR®,(BLK) 1/CS Product #:06100.0101</p>	 <p>EASY POUR®,(BLK) 2/CS Product #:06100.0102</p>	 <p>EASY POUR®,(BLK) 3/CS Product #:06100.0103</p>	 <p>EASY POUR®,(BLK) 6/CS Product #:06100.0106</p>	 <p>EASY POUR®,(BLK) 12/CS Product #:06100.0112</p>
 <p>EASY POUR®,(BLK) 24/CS Product #:06100.0124</p>	 <p>EASY POUR®,(BLK) 6-1/CS Product #:06100.0156</p>	 <p>EASY POUR®,(ORN) 1/CS Product #:06101.0101</p>	 <p>EASY POUR®,(ORN) 2/CS Product #:06101.0102</p>	 <p>EASY POUR®,(ORN) 3/CS Product #:06101.0103</p>
 <p>EASY POUR®,(ORN) 6/CS Product #:06101.0106</p>	 <p>EASY POUR®,(ORN) 12/CS Product #:06101.0112</p>	 <p>EASY POUR®,(ORN) 24/CS Product #:06101.0124</p>	 <p>DECANTER, GLASS-BLK 12C 24/CS Product #:42400.0024</p>	 <p>DECANTER, GLASS-BLK 12CUP 1PK Product #:42400.0101</p>
 <p>DECANTER, GLASS-BLK 12C 3/CS Product #:42400.0103</p>	 <p>DECANTER, GLASS-ORN 12C 24/CS Product #:42401.0024</p>	 <p>DECANTER, GLASS-ORN 12 CUP 1PK Product #:42401.0101</p>	 <p>DECANTER, GLASS-ORN 12C 3/CS Product #:42401.0103</p>	



BUNN® reserves the right to change specifications and product design without notice. Such revisions do not entitle the buyer to corresponding changes, improvements, additions or replacements for previously purchased equipment. For most current specifications and other info visit bunn.com.

Last Updated:
05/13/2020