

CRTF5-35, Plastic Funnel/5 Lower Warmers

17.4" x 24.4" x 22.9"
(44.2cm x 62.0cm x 58.2cm)

- All stainless steel construction
- Hot water faucet and pourover feature
- SplashGard® funnel deflects hot liquids away from the hand
- Designed with low profile height to fit under-cabinet space



 Servers and airpots sold separately

Agency:



Specifications

Product #: 13250.0023

Warmers: Five Lower

Water Access: Plumbed

Finish: Stainless

Funnel: Black Plastic

Faucet: Upper

Additional Features

4" SST Legs

Low Profile

Pourover Option

Electrical & Capacity

Volts	Amps	Watts	Cord Attached	Plug Type	8oz cups/hr 236ml cups/hr	Input H ₂ O Temp.	Phase	# Wires plus Ground	Hertz
120/240	19	4050	No	-	120	60°F (15.5°C)	1	3	60

Plumbing Requirements

PSI	kPa	Fitting Supplied	Water Flow Required (GPM)
20-90	138-621	1/4" Male Flare Fitting	-

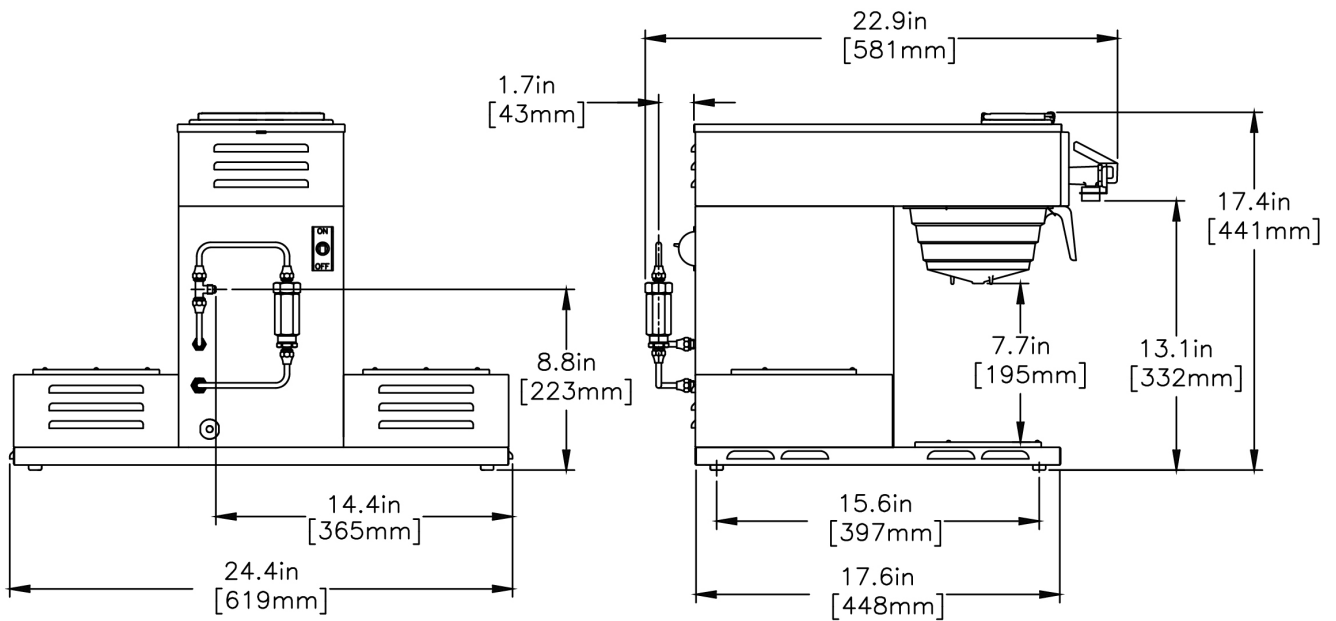
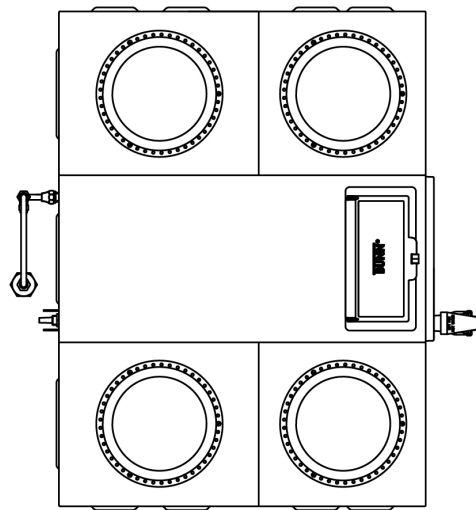
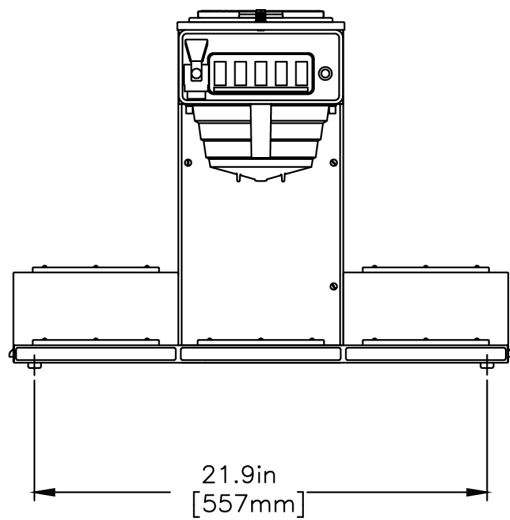
CAD Drawings

2D	Revit	KLC
●		



BUNN® reserves the right to change specifications and product design without notice. Such revisions do not entitle the buyer to corresponding changes, improvements, additions or replacements for previously purchased equipment. For most current specifications and other info visit bunn.com.

Created on:
09/13/2017



	Unit			Shipping				
	Width	Height	Depth	Width	Height	Depth	Weight	Volume
English	22.9 in.	17.4 in.	24.4 in.	26.0 in.	22.0 in.	29.0 in.	47.840 lbs	8.945 ft ³
Metric	58.2 cm	44.2 cm	62.0 cm	66.0 cm	55.9 cm	73.7 cm	21.700 kgs	0.253 m ³



BUNN® reserves the right to change specifications and product design without notice. Such revisions do not entitle the buyer to corresponding changes, improvements, additions or replacements for previously purchased equipment. For most current specifications and other info visit bunn.com.

Created on:
09/13/2017

Related Products & Accessories: CRTF5-35, Plastic Funnel/5 Lower Warmers(13250.0023)



FILTERS,REGULAR1M
500/2 50/CL

Product #: 20115.0000



PAPEL FILTRANTE

Product #: 20115.0000



FUNNEL W/DECALS,
BLACK PLASTIC

Product #: 20583.0003



EMBUDOS

Product #: 20583.0003



WATER FILTER
SYSTEM,EQ-17-TL

Product #: 30200.1000



WATER FILTER,IN LINE
ED-17-TL

Product #: 30201.1001



BUNN® reserves the right to change specifications and product design without notice. Such revisions do not entitle the buyer to corresponding changes, improvements, additions or replacements for previously purchased equipment. For most current specifications and other info visit bunn.com.

Created on:
09/13/2017

Serving & Holding Options: CRTF5-35, Plastic Funnel/5 Lower Warmers(13250.0023)

				
EASY POUR,(BLK) 1/CS Product #:06100.0101	EASY POUR,(BLK) 2/CS Product #:06100.0102	JARRAS Product #:06100.0102	EASY POUR,(BLK) 3/CS Product #:06100.0103	JARRAS Product #:06100.0103
				
EASY POUR,(BLK) 6/CS Product #:06100.0106	JARRAS Product #:06100.0106	EASY POUR,(BLK) 12/CS Product #:06100.0112	EASY POUR,(BLK) 24/CS Product #:06100.0124	EASY POUR,(BLK) 6-1/2 CS Product #:06100.0156
				
EASY POUR,(ORN) 1/CS Product #:06101.0101	EASY POUR,(ORN) 2/CS Product #:06101.0102	JARRAS Product #:06101.0102	EASY POUR,(ORN) 3/CS Product #:06101.0103	EASY POUR,(ORN) 6/CS Product #:06101.0106
				
JARRAS Product #:06101.0106	EASY POUR,(ORN) 12/CS Product #:06101.0112	EASY POUR,(ORN) 24/CS Product #:06101.0124	DECANTER,GLASS-BLK 12C 24/CS Product #:42400.0024	DECANTER,GLASS-BLK 12CUP 1PK Product #:42400.0101



BUNN® reserves the right to change specifications and product design without notice. Such revisions do not entitle the buyer to corresponding changes, improvements, additions or replacements for previously purchased equipment. For most current specifications and other info visit bunn.com.

Created on:
09/13/2017

Serving & Holding Options: CRTF5-35, Plastic Funnel/5 Lower Warmers(13250.0023)



DECANTER, GLASS-BLK
12C 3/CS

Product #:42400.0103



DECANTER, GLASS-ORN
12C 24/CS

Product #:42401.0024



DECANTER, GLASS-
ORN 12 CUP 1PK

Product #:42401.0101



DECANTER, GLASS-ORN
12C 3/CS

Product #:42401.0103



BUNN® reserves the right to change specifications and product design without notice. Such revisions do not entitle the buyer to corresponding changes, improvements, additions or replacements for previously purchased equipment. For most current specifications and other info visit bunn.com.

Created on:
09/13/2017