

12 Cup Automatic Coffee Brewer with 2 Warmers

ITEM#

PROJECT

DATE



Model OL
(2 warmers)

(decanters sold separately)

Dimensions: 23.5" H x 12" W x 18.5" D

Features

12 Cup Automatic Coffee Brewer

- Brews 5.1 to 7.5 gallons (19.3 to 28.4 litres) of perfect coffee per hour.
- All stainless steel construction.
- Can also be operated as a pourover unit.
- Designed to function well in low or uneven water pressure situations.
- Faucet kit available.
- SplashGard® funnel deflects hot liquids away from the hand.

For current specification sheets and other information, go to www.bunn.com.

Related Products

Easy Clear® EQ-17-TL

Product No. : 30200.1000

Dimensions:

12⁷/₁₆" H x 2¹/₂" W x 3" D

31.6 cm H x 6.35 cm W x 7.62 cm D



Paper Filter Pack

Product No. : 20115.0000

Packed per case: 1,000

Dimensions: 4¹/₄" Base x 2³/₄" Sidewall

10.8 cm Base x 6.98 cm Sidewall



1GPR SS Portable Server on an RWS1 Warmer

1GPR Product No. : 12487.0001*

RWS1 Product No. : 12203.0010

*Also available with side handles or black decor.



Easy Clear® ED-17-TL

Product No. : 30201.1001

Dimensions: 8¹/₄" H x 2⁵/₁₆" Dia.

20.95 cm H x 5.87 cm Dia.

Easy Pour® black decanter

Product No. : 06100.0101

Quantity: 1 (also packaged in quantities of 2, 3, 6, 12, & 24)



Easy Pour® orange decanter (for decaf)

Product No. : 06101.0101

Quantity: 1 (also packaged in quantities of 2, 3, 6, 12, & 24)



Model

OL20

OL35

Agency Listing



Dimensions & Specifications

Model	Product #	Volts	Amps	Tank Heater Watts	Total Watts	Brewing Capacity	Cu. Ft.	Shipping Weight	Cord Attached
OL 20	20820.0001	120	17	1800	2050	5.1 gal./hr.	4.9	34 lbs.	No
OL 35	20820.0002	120/240	16.6	3500	3750	7.5 gal./hr.	4.9	34 lbs.	No

Brewing capacity: based upon incoming water temp of 60°F (140°F rise) per 1/2 gallon brew time of 4 minutes.

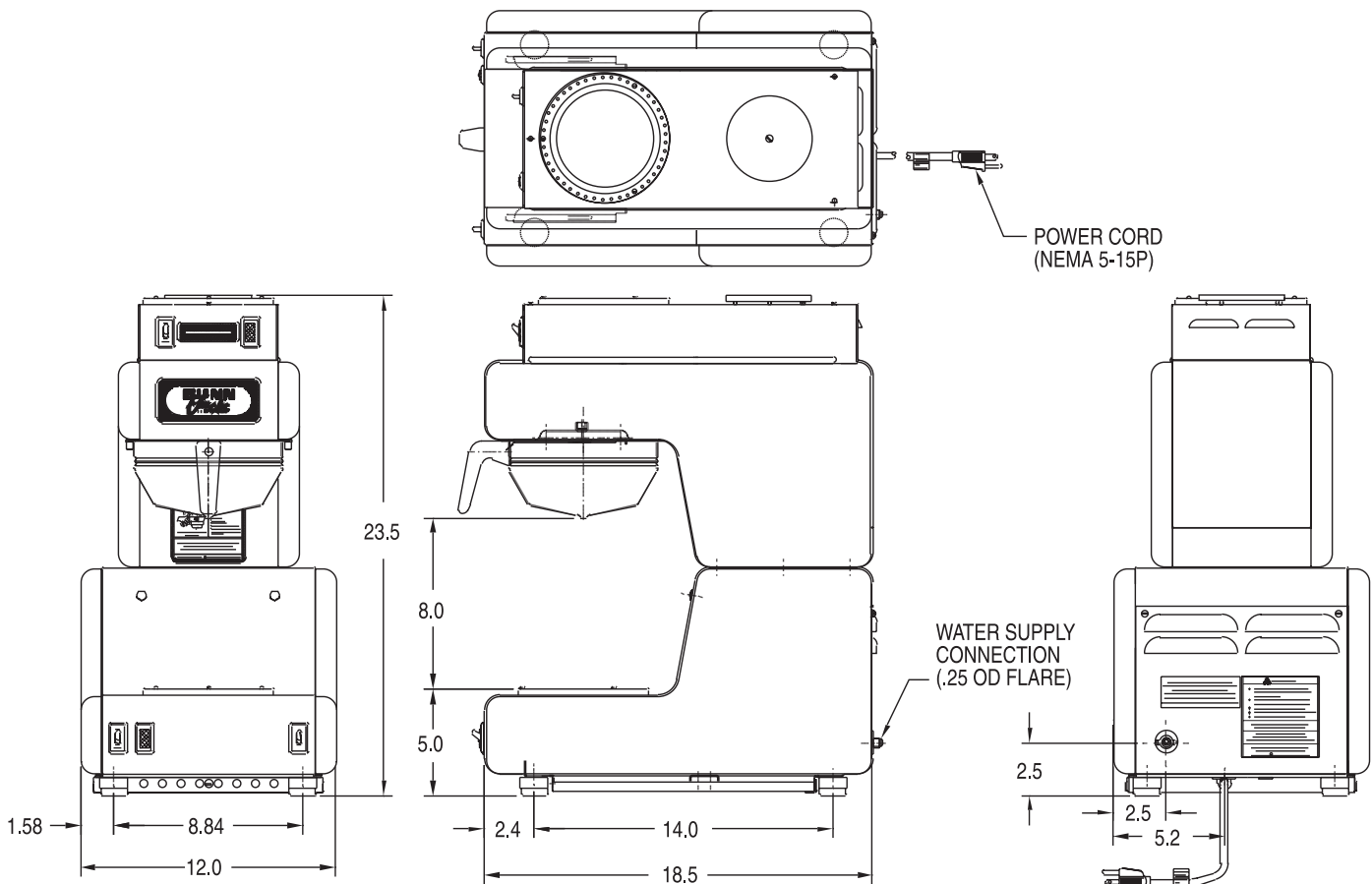
Models listed as 120/208V or 120/240V must be connected to 208V or 240V electrical service respectively. Please refer to the installation manual.

*Power cord (NEMA 5-15P) 15 Amp-120V machine only.

Electrical: OL 20 requires 2-wires plus ground service rated 120V, single phase, 60Hz.

OL 35 requires 3-wires plus ground service rated 120/208 or 120/240V, single phase, 60Hz.

Plumbing: 10-90 psi (138-621 kPa). Supplied with 1/4" male flare fitting.



Bunn-O-Matic® Corporation - 1400 Stevenson Drive Springfield, Illinois 62703 • 800-637-8606 • 217-529-6601 • Fax 217-529-6644 • www.bunn.com

BUNN® practices continuous product research and improvement. We reserve the right to change specifications and product design without notice. Such revisions do not entitle the buyer to corresponding changes, improvements, additions or replacements for previously purchased equipment.

All dimensions shown in inches.

10/09 © Bunn-O-Matic Corporation