

# DUAL GPR 120/208V w/Plstc Fnl, 1 Setting

29.3" x 19.3" x 18.0"  
(74.4cm x 49.0cm x 45.7cm)

- Each 1.5GPR portable server (included) has a Safety-Fresh® brew-through lid with vapor seal and spill protection
- Adjustable bypass ensures perfect coffee regardless of batch size
- Brews 1 1/2gal (5.7L) batches
- SplashGard® funnels deflect hot liquids away from the hand
- Servers not included unless otherwise noted

NO IMAGE  
AVAILABLE

Agency:



## Specifications

**Product #:** 20900.0008

**Water Access:** Plumbed

**Finish:** Stainless

**Funnel:** Black Plastic

**Faucet:** Upper

## Additional Features

## Electrical & Capacity

Volts	Amps	Watts	Cord Attached	Plug Type	8oz cups/hr 236ml cups/hr	Input H <sup>2</sup> O Temp.	Phase	# Wires plus Ground	Hertz
120/208	28.8	5990	No	-	266	60°F (15.5°C)	1	3	60

## Plumbing Requirements

PSI	kPa	Fitting Supplied	Water Flow Required (GPM)
20-90	138-621	1/4" Male Flare Fitting	-

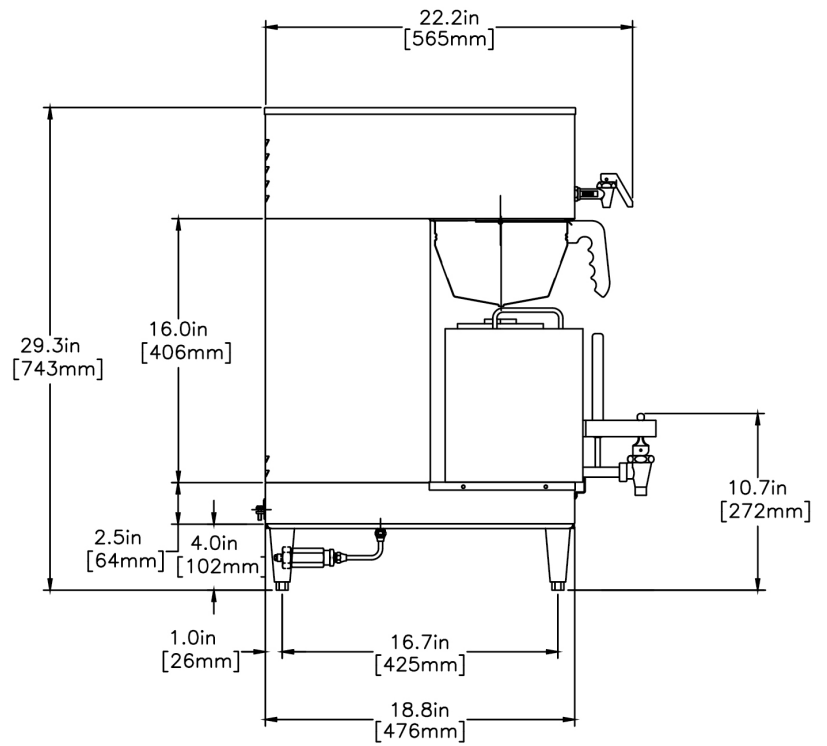
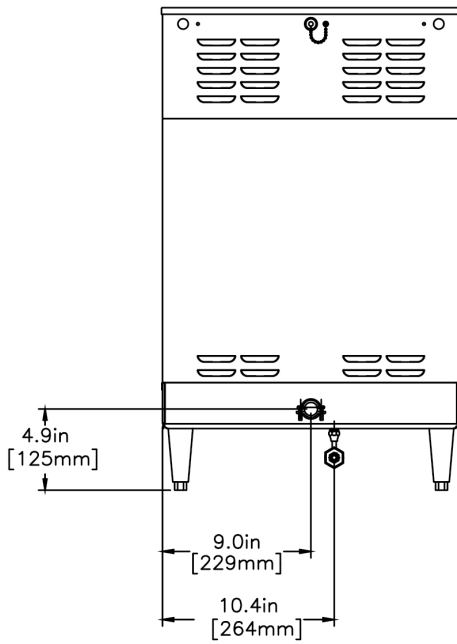
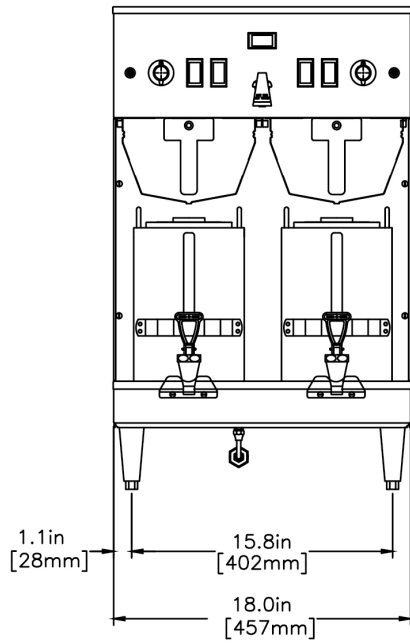
## CAD Drawings

2D	Revit	KLC
●		



BUNN® reserves the right to change specifications and product design without notice. Such revisions do not entitle the buyer to corresponding changes, improvements, additions or replacements for previously purchased equipment. For most current specifications and other info visit [bunn.com](http://bunn.com).

Created on:  
07/23/2019



	Unit			Shipping				
	Width	Height	Depth	Width	Height	Depth	Weight	Volume
English	18.0 in.	29.3 in.	19.3 in.	20.8 in.	31.8 in.	29.0 in.	92.450 lbs	11.101 ft <sup>3</sup>
Metric	45.7 cm	74.4 cm	49.0 cm	52.8 cm	80.8 cm	73.7 cm	41.935 kgs	0.314 m <sup>3</sup>



BUNN® reserves the right to change specifications and product design without notice. Such revisions do not entitle the buyer to corresponding changes, improvements, additions or replacements for previously purchased equipment. For most current specifications and other info visit [bunn.com](http://bunn.com).

Created on:  
07/23/2019

## Related Products & Accessories: DUAL GPR 120/208V w/Plstc FnI, 1 Setting(20900.0008)



RWS1, 120V

Product #: 12203.0010



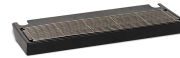
RWS1, 120V-SATIN NKL  
LEGS

Product #: 12203.0014



FUNNEL ASSY, BLACK  
W/BYPASS

Product #: 22735.0000



DRIP TRAY KIT, DUAL &  
SH

Product #: 27150.0000



2SH STAND, 120V

Product #: 27875.0000



2SH STAND, 120V BLK

Product #: 27875.0003



WATER FILTER,  
EQHP-10L

Product #: 39000.0001



WATER FILTER,  
EQHP-10

Product #: 39000.0004



BUNN® reserves the right to change specifications and product design without notice. Such revisions do not entitle the buyer to corresponding changes, improvements, additions or replacements for previously purchased equipment. For most current specifications and other info visit [bunn.com](http://bunn.com).

Created on:  
07/23/2019

# Serving & Holding Options: DUAL GPR 120/208V w/Plstc Fnl, 1 Setting(20900.0008)



RWS1, 120V

Product #:12203.0010



RWS1, 120V-SATIN NKL  
LEGS

Product #:12203.0014



1.5GPR-FF, TOP HNDL

Product #:20950.0004



BUNN® reserves the right to change specifications and product design without notice. Such revisions do not entitle the buyer to corresponding changes, improvements, additions or replacements for previously purchased equipment. For most current specifications and other info visit [bunn.com](http://bunn.com).

Created on:  
07/23/2019