

# DUAL GPR 120/208V w/SST Fnl, 3 Settings

29.3" x 19.3" x 18.0"  
(74.4cm x 49.0cm x 45.7cm)

- Each 1.5GPR portable server (included) has a Safety-Fresh® brew-through lid with vapor seal and spill protection
- Adjustable bypass ensures perfect coffee regardless of batch size
- Brews 1/2, 1 or 1 1/2gal (1.9, 3.8 or 5.7L) batches
- SplashGard® funnels deflect hot liquids away from the hand
- Servers not included unless otherwise noted



Agency:



## Specifications

**Product #:** 20900.0010

**Faucet:** Upper

**Water Access:** Plumbed

**Interface:** Cabled

**Finish:** Stainless

**Funnel:** Stainless Steel

## Additional Features

## Electrical & Capacity

| Volts   | Amps | Watts | Cord Attached | Plug Type | 8oz cups/hr<br>236ml cups/hr | Input H <sup>2</sup> O<br>Temp. | Phase | # Wires<br>plus Ground | Hertz |
|---------|------|-------|---------------|-----------|------------------------------|---------------------------------|-------|------------------------|-------|
| 120/208 | 28.8 | 5990  | No            | -         | 266                          | 60°F (15.5°C)                   | 1     | 3                      | 60    |

## Plumbing Requirements

| PSI   | kPa     | Fitting Supplied        | Water Flow Required (GPM) |
|-------|---------|-------------------------|---------------------------|
| 20-90 | 138-621 | 1/4" Male Flare Fitting | -                         |

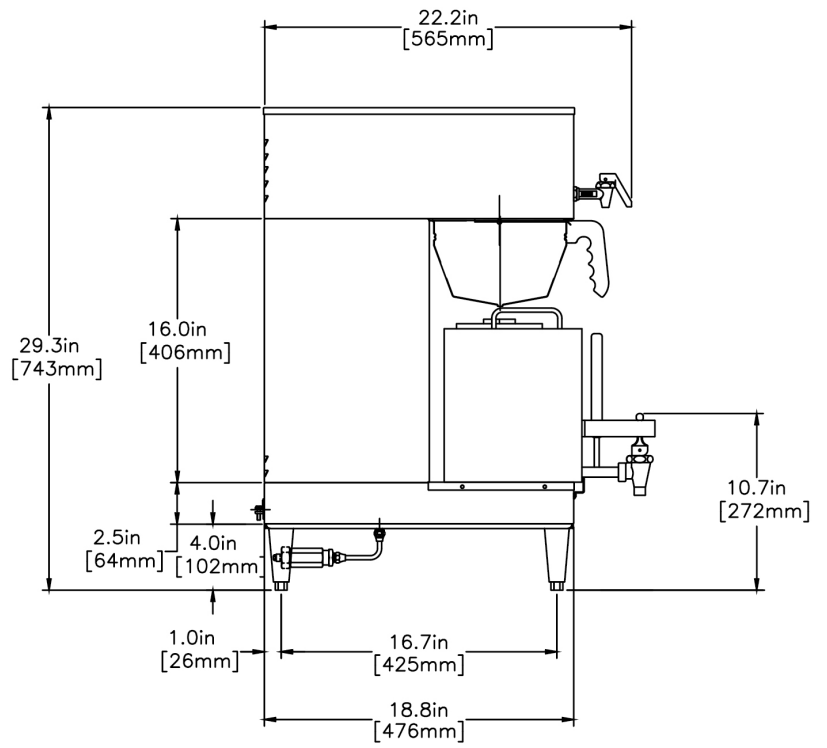
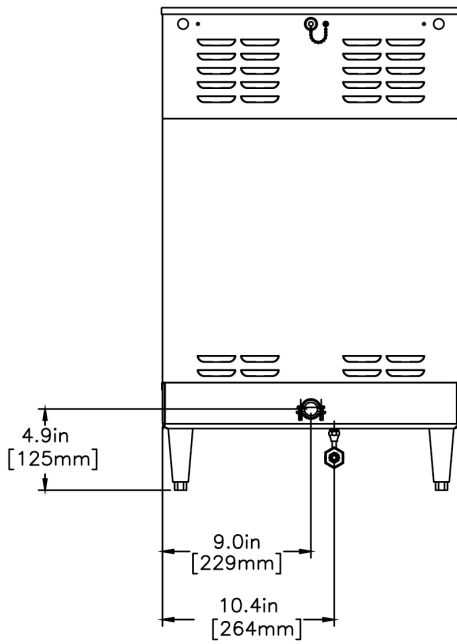
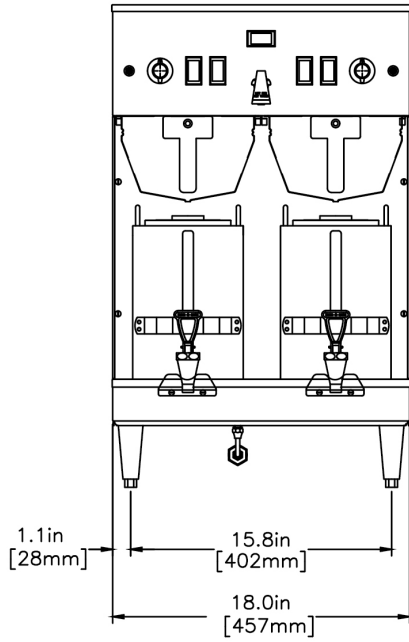
## CAD Drawings

| 2D | Revit | KLC |
|----|-------|-----|
| ●  |       |     |



BUNN® reserves the right to change specifications and product design without notice. Such revisions do not entitle the buyer to corresponding changes, improvements, additions or replacements for previously purchased equipment. For most current specifications and other info visit [bunn.com](http://bunn.com).

**Created on:**  
07/23/2019



|         | Unit     |          |          | Shipping |          |          |            |            |
|---------|----------|----------|----------|----------|----------|----------|------------|------------|
|         | Width    | Height   | Depth    | Width    | Height   | Depth    | Weight     | Volume     |
| English | 18.0 in. | 29.3 in. | 19.3 in. | 20.8 in. | 31.8 in. | 29.0 in. | 95.250 lbs | 11.101 ft³ |
| Metric  | 45.7 cm  | 74.4 cm  | 49.0 cm  | 52.8 cm  | 80.8 cm  | 73.7 cm  | 43.205 kgs | 0.314 m³   |



BUNN® reserves the right to change specifications and product design without notice. Such revisions do not entitle the buyer to corresponding changes, improvements, additions or replacements for previously purchased equipment. For most current specifications and other info visit [bunn.com](http://bunn.com).

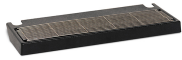
Created on:  
07/23/2019

## Related Products & Accessories: DUAL GPR 120/208V w/SST Fnl, 3 Settings(20900.0010)



FUNNEL ASSY, SST  
(DUAL/SGL)

Product #: 20201.1201



DRIP TRAY KIT, DUAL &  
SH

Product #: 27150.0000



WATER FILTER,  
EQHP-10L

Product #: 39000.0001



WATER FILTER,  
EQHP-10

Product #: 39000.0004



BUNN® reserves the right to change specifications and product design without notice. Such revisions do not entitle the buyer to corresponding changes, improvements, additions or replacements for previously purchased equipment. For most current specifications and other info visit [bunn.com](http://bunn.com).

Created on:  
07/23/2019

# Serving & Holding Options: DUAL GPR 120/208V w/SST Fnl, 3 Settings(20900.0010)



RWS1, 120V

Product #:12203.0010



RWS1, 120V-SATIN NKL  
LEGS

Product #:12203.0014



1.5GPR-FF, TOP HNDL

Product #:20950.0004



BUNN® reserves the right to change specifications and product design without notice. Such revisions do not entitle the buyer to corresponding changes, improvements, additions or replacements for previously purchased equipment. For most current specifications and other info visit [bunn.com](http://bunn.com).

Created on:  
07/23/2019