

DUAL GPR 120/240V w/SST Fnl, 3 Settings

29.3" x 19.3" x 18.0"
(74.4cm x 49.0cm x 45.7cm)

- Each 1.5GPR portable server (included) has a Safety-Fresh® brew-through lid with vapor seal and spill protection
- Adjustable bypass ensures perfect coffee regardless of batch size
- Brews 1/2, 1 or 1 1/2gal (1.9, 3.8 or 5.7L) batches
- SplashGard® funnels deflect hot liquids away from the hand



Servers and airpots sold separately

Agency:



Specifications

Product #: 20900.0011

Faucet: Upper

Water Access: Plumbed

Interface: Cabled

Finish: Stainless

Funnel: Stainless Steel

Additional Features

Electrical & Capacity

| Volts | Amps | Watts | Cord Attached | Plug Type | 8oz cups/hr 236ml cups/hr | Input H ² O Temp. | Phase | # Wires plus Ground | Hertz |
|---------|------|-------|---------------|-----------|------------------------------|------------------------------|-------|---------------------|-------|
| 120/240 | 28.7 | 6890 | No | - | 309 | 60°F (15.5°C) | 1 | 3 | 60 |

Plumbing Requirements

| PSI | kPa | Fitting Supplied | Water Flow Required (GPM) |
|-------|---------|-------------------------|---------------------------|
| 20-90 | 138-621 | 1/4" Male Flare Fitting | - |

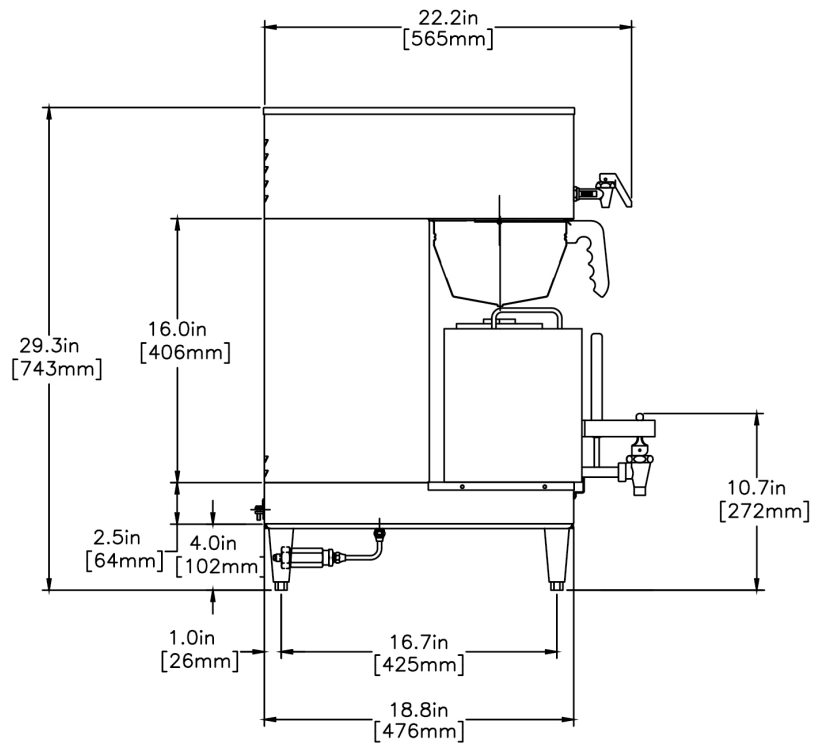
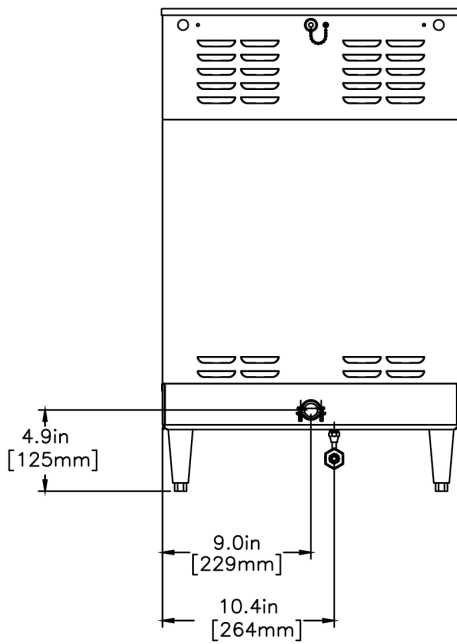
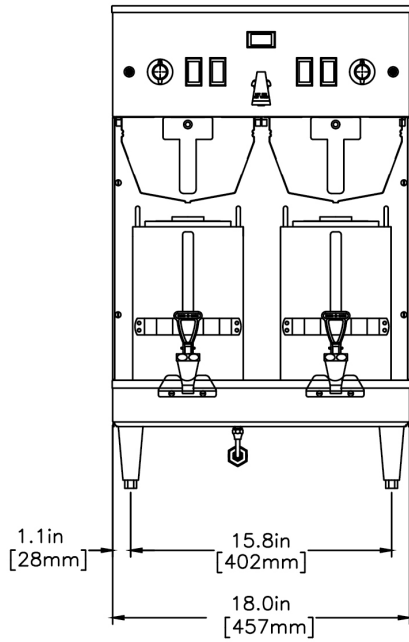
CAD Drawings

| 2D | Revit | KLC |
|----|-------|-----|
| ● | | |



BUNN® reserves the right to change specifications and product design without notice. Such revisions do not entitle the buyer to corresponding changes, improvements, additions or replacements for previously purchased equipment. For most current specifications and other info visit bunn.com.

Created on:
09/13/2017



| | Unit | | | Shipping | | | | |
|---------|----------|----------|----------|----------|--------|-------|------------|------------------------|
| | Width | Height | Depth | Width | Height | Depth | Weight | Volume |
| English | 18.0 in. | 29.3 in. | 19.3 in. | - | - | - | 95.350 lbs | 11.101 ft ³ |
| Metric | 45.7 cm | 74.4 cm | 49.0 cm | - | - | - | 43.251 kgs | 0.314 m ³ |



BUNN® reserves the right to change specifications and product design without notice. Such revisions do not entitle the buyer to corresponding changes, improvements, additions or replacements for previously purchased equipment. For most current specifications and other info visit bunn.com.

Created on:
09/13/2017

Related Products & Accessories: DUAL GPR 120/240V w/SST Fnl, 3 Settings(20900.0011)



RWS1, 120V

Product #: 12203.0010



PARRILLA

Product #: 12203.0010



RWS1, 120V-SATIN NKL
LEGS

Product #: 12203.0014



FUNNEL ASSY, SST
(DUAL/SGL)

Product #: 20201.1201



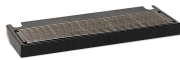
EMBUDOS

Product #: 20201.1201



DRIP TRAY KIT, DUAL &
SH

Product #: 27150.0000



CHAROLA CON
ACCESORIOS

Product #: 27150.0000



WATER FILTER,
EQHP-10L

Product #: 39000.0001



BUNN® reserves the right to change specifications and product design without notice. Such revisions do not entitle the buyer to corresponding changes, improvements, additions or replacements for previously purchased equipment. For most current specifications and other info visit bunn.com.

Created on:
09/13/2017

Serving & Holding Options: DUAL GPR 120/240V w/SST Fnl, 3 Settings(20900.0011)



RWS1, 120V

Product #:12203.0010



PARRILLA

Product #:12203.0010



RWS1, 120V-SATIN NKL
LEGS

Product #:12203.0014



1.5GPR-FF, TOP HNDL

Product #:20950.0004



CONTENEDOR

Product #:20950.0004



BUNN® reserves the right to change specifications and product design without notice. Such revisions do not entitle the buyer to corresponding changes, improvements, additions or replacements for previously purchased equipment. For most current specifications and other info visit bunn.com.

Created on:
09/13/2017